

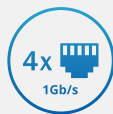
RUTX09

NEXT GENERATION LTE CAT6 INDUSTRIAL CELLULAR ROUTER

This powerful LTE router is designed as Main/Backup Internet source where steady connection and high data throughput is required. Equipped with Dual-SIM and 4 x Gigabit Ethernet ports. RUTX09 has all advanced RutOS software and security features.



LTE Cat 6 with speeds up to 300Mbps



Gigabit Ethernet with speeds up to 1000Mbps



Dual-SIM with auto Failover, Backup WAN and other SW features



Teltonika Remote Management System compatible



Multiple secure VPN services



Easy to use, secure and feature rich OpenWrt based Operating System

RELIABLE

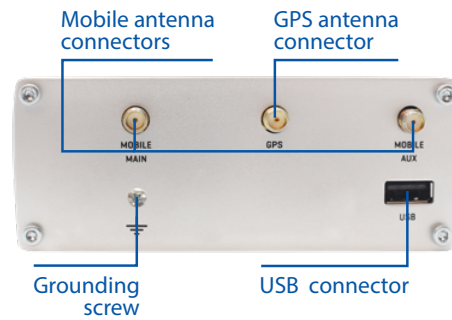
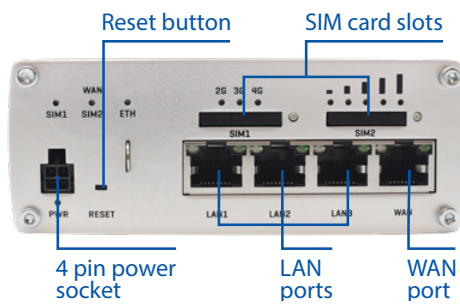
- Stable 24/7 operation
- Connection watchdog
- 3 alternative internet sources

ROBUST

- Durable aluminium housing
- Wide voltage range (9-50 V)
- External temperature range (-40 +75 °C)

SECURE

- Multiple VPN options
- Advanced firewall functionality
- Various encryption protocols supported



Hardware

Mobile	4G (LTE) – Cat 6 DL up to 300 Mbps, UL up to 50Mbps; DC-HSDPA; HSUPA; WCDMA
CPU	Quad Core ARM Cortex A7 717 MHz CPU
Memory	256 MBytes Flash, 256 MBytes DDR3 RAM
Ethernet	4 x 1 Gbit Ethernet ports: 1 x WAN (configurable as LAN), 3 x LAN
Power supply	9 - 50 VDC, 4 pin DC connector
Connectors	1 x 4 pin DC, 4 x Ethernet, 2 x Mobile SMA, 1 x GPS SMA
SIM	2 x external SIM holders
Status LEDs	1 x Power, 2 x SIM, 3 x Mobile network type, 5 x Signal Strength
Operating temperature	-40 °C to 75 °C
Housing	Full aluminium with grounding terminal
Dimensions	115 mm x 95 mm x 44 mm
Weight	456 g

Software

Operating system	RutOS (OpenWrt based Linux OS)
SIM switch	2 SIM cards, auto-switch cases: data limit, roaming, no network, network denied, data connection fail
Multiple PDN	Possibility to use different PDNs for multiple network access and services
Network protocols	TCP, UDP, IPv4, IPv6, ICMP, NTP, DHCP, DNS, HTTP, HTTPS, SMTP, SSL v3, TLS, ARP, PPPoE, UPNP, SSH, Telnet
Networking features	NAT, Static/Dynamic routing, Firewall, OpenVPN, IPSec, H.232 and SIP-alg protocol NAT helpers, allowing proper routing of VoIP packets
Unique networking features	VLAN, Mobile quota control, WEB Filter, Load Balancing, Network Backup, Auto Failover
Connection monitoring	Ping Reboot, Periodic Reboot, LCP and ICMP for link inspection
Authetication	Pre-shared key, digital certificates, X.509 certificates
Keep settings	Update FW without loosing current configuration
Monitoring & Management	WEB UI, SSH, SMS, SNMP, JSON-RPC, FOTA, RMS
Supported languages	Busybox shell, Lua, C, C++
Development tools	SDK package with build environment provided