



STRATUS

User Guide **1**

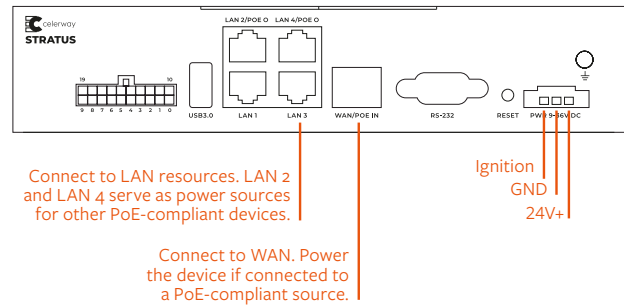
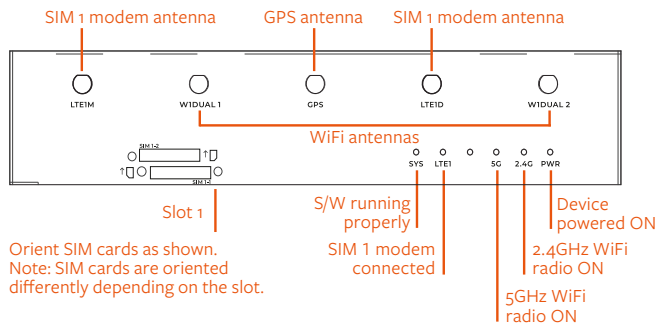
STRATUS CWY-M5.2E5L1W2
STRATUS CWY-M5.2E5L2W3

***THIS DEVICE MUST BE ACTIVATED
BEFORE USE.** For detailed instructions,
please refer to the Activation Guide.

About the device (single-modem model)

Mounting LTE, WiFi & GPS antennas

STRATUS (single-modem model) accepts up to 2 LTE antennas and 1 GPS antenna with SMA female connectors and up to 2 WiFi antennas with RP-SMA female connectors. Be sure that the device is **powered off** when mounting antennas.



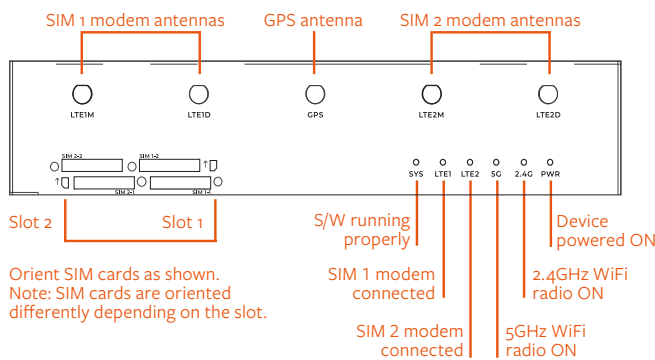
Inserting SIM cards

STRATUS (single-modem model) is equipped with a dual-SIM modem that uses full-sized cellular data SIM cards which you must install in the SIM card slots as illustrated above. Be sure that the device is **powered off** when inserting SIMs.

About the device (dual-modem model)

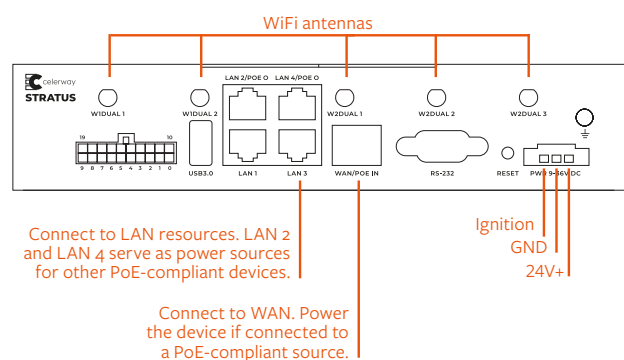
Mounting LTE & GPS antennas

STRATUS (dual-modem model) accepts up to 4 LTE antennas and 1 GPS antenna with SMA female connectors. Be sure that the device is **powered off** when mounting antennas.



Mounting WiFi antennas

STRATUS (dual-modem model) accepts up to 5 WiFi antennas with RP-SMA female connectors. Be sure that the device is **powered off** when mounting antennas.



Inserting SIM cards

STRATUS (dual-modem model) is equipped with two dual-SIM modems that use full-sized cellular data SIM cards which you must install in the SIM card slots as illustrated above. Slot 1 is reserved for modem 1, and Slot 2 for modem 2. Be sure that the device is **powered off** when inserting SIMs.

Start using **STRATUS** *This device must be activated before use. For detailed instructions, please refer to the Activation Guide.

WARNING Antennas must be mounted and SIM cards inserted before STRATUS is powered on.

1 Power on STRATUS

To power on STRATUS, insert the supplied power cable into the power connector at the back of the device or alternately, insert a network cable connected to a PoE-compliant source into the WAN connector.

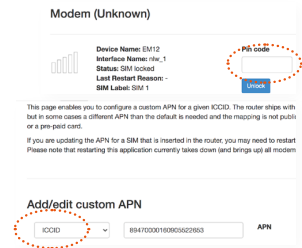
2 Connect your devices to STRATUS

- » To connect your personal laptop/computer to STRATUS by Ethernet cable, insert one end of the cable in the STRATUS LAN port, and the other end in the Ethernet port of your computer.
- » To connect your personal laptop/computer or mobile phone to STRATUS by WiFi, search on your computer for the WiFi network named CelerwayXXXXXX (where the Xs are digits/letters), and log in to WiFi with the password CelerwayXXXXXXtest (where the Xs are the same digits/letters as in the network name).

To access the STRATUS device user interface (UI), open a web browser to <http://192.168.5.1/>, with the default user **admin** and password **celerway**. If you cannot access your device's UI, your device may not have been activated. For detailed instructions, please refer to the Activation Guide.

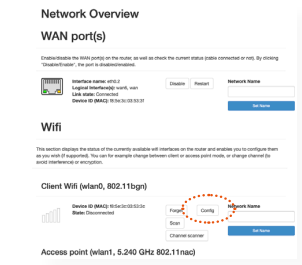
3A Connect STRATUS to a LTE source If the LTE 1 indicator (and LTE 2, if applicable) is illuminated, you are already connected to the internet. If your SIM cards require special configuration:

1. Access the STRATUS device UI.
2. In the Network Overview tab, navigate to the Modems section, enter the SIM card's pin code in the Pin code field and click Unlock.
3. If the SIM card requires a special APN, copy the ICCID number for the Modem.
4. In the Network Settings tab, navigate to Customs APN, click on APN menu and paste the ICCID in the empty field.
5. Type the APN in the APN field, click Add and Restart modem(s).
6. The APN is now activated. For a private SIM card and network, you may be required to enter a username and password in the APN menu tab.



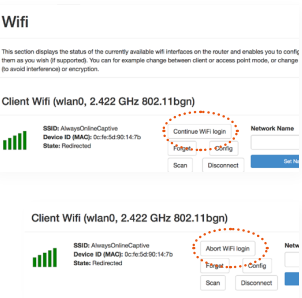
3B Connect STRATUS to a WiFi source If you want STRATUS to use one or more of the available WiFi networks:

1. Access the STRATUS device UI.
2. In the Network Overview tab, for the WiFi interface, click Config to set to Client mode (instead of Access).
3. Click Scan to see available networks.
4. Choose the network, click Select.
5. Enter the password for the selected WiFi network and click Connect.
6. If STRATUS successfully connects to a WiFi network, it will appear in the list of available interfaces.



3C Connect STRATUS to a WiFi source behind login portals Repeat steps 1 and 3 from the section above, then:

4. For the selected network, click Continue WiFi Login.
5. You will be redirected to the login portal of the WiFi. Click Continue to accept the warning and proceed to complete the portal login.
6. If the login is not successful for any reason, click Abort WiFi login to abort the process to enable Internet connectivity again.
7. If STRATUS successfully connects to a WiFi network, it will appear in the list of available interfaces.



3D Connect STRATUS to a wired internet source

To connect STRATUS to a local wired internet source, insert one end of an Ethernet cable in the WAN port, and the other end in the internet source. The WAN LED indicator on the length of the device should now be illuminated.

For further configuration options, refer to the documentation at <http://nimbus.celerway.com>.

SAFETY AND HAZARDS This equipment is designed to operate in ambient temperatures up to 50°C. When operating in elevated ambient temperatures, the surface of the equipment may exceed 60°C and become too hot to safely touch. Under this condition, this product must be installed in a secured location that is not accessible to accidental touch, and access to the device must be restricted to service persons or users who possess the proper tool or key to access the device and have been informed about the potential high surface temperatures and instructed on how to safely handle and/or service the device. Under no circumstances should the device be used in any areas or near any equipment which may be susceptible to any form of radio interference, and that might cause damage to property or persons. In such areas, the device **MUST BE POWERED OFF AT ALL TIMES** (since the device otherwise could transmit signals that might interfere with such equipment). In addition, under no circumstances should the device be used in any aircraft, regardless of whether the aircraft is on the ground or in flight. In any aircraft, the device **MUST BE POWERED OFF AT ALL TIMES** (since the device otherwise could transmit signals that might interfere with various onboard systems on such aircraft).

Furthermore, under no circumstances should the device be used by the driver or operator of any vehicle. Such use of the device will detract from the driver's or operator's control of that vehicle. In some jurisdictions, use of the device while driving or operating a vehicle constitutes a civil and/or criminal offense.

Due to the nature of wireless communications, transmission and reception of data by the device can never be guaranteed, and it is possible that data communicated or transmitted wirelessly may be delayed, corrupted (i.e., contain errors), or totally lost. The device is not intended for, and Celerway recommends the device not be used in any critical applications where failure to transmit or receive data could result in property damage or loss or personal injury of any kind (including death) to the user or to any other party. Celerway expressly disclaims liability for damages of any kind resulting from: (a) delays, errors, or losses of any data transmitted or received using the device; or (b) any failure of the device to transmit or receive such data.

Information For Europe, Declaration Of Compliance Celerway declares that the device is in compliance with the essential requirements of Radio Equipment Directive 2014/53/EU and RoHS2 Directive 2011/65/EU. Detailed information and specifications can be found in Nimbus management system.

Recycling And Environmental Information To find information on how to responsibly recycle Celerway products, please consult national regulations on how to recycle electrical waste.

Open Source Software This product contains software distributed under one or more open source licenses. For more information on this software, including licensing terms and your rights to access source code, read open source documentation in the Nimbus management system or contact info@celerway.com.

Warranty Information Celerway warrants this product against defects in materials and workmanship to the original purchaser (or the first purchaser in the case of resale by an authorized distributor) for a period of one (1) year from the date of shipment. This warranty is limited to a repair or replacement of the product, at Celerway's discretion as purchaser's sole and exclusive remedy. Celerway does not warrant that the operation of the device will meet your requirements or be error free. Within thirty (30) days of receipt should the product fail for any reason other than damage due to customer negligence, purchaser may return the product to the point of purchase. Any other return will be subject to Celerway's existing return policy.

LIMITATION OF CELERWAY LIABILITY The information contained in this guide is subject to change without notice and does not represent any commitment on the part of celerway or its affiliates. Celerway and its affiliates hereby specifically disclaim liability for any and all: (a) direct, indirect, special, general, incidental, consequential, punitive or exemplary damages, including without limitation for loss of profits or revenue or of anticipated profits or revenue arising out of the use or inability to use the device, even if celerway and/or its affiliates have been advised of the possibility of such damages, and even if such damages are foreseeable; or (b) claims by any user of the device or any third party,

whether in contract or in tort, including product liability. Notwithstanding the foregoing, in no event shall the aggregate liability of celerway and/or its affiliates arising under or in connection with the device, regardless of the number of events, occurrences, or claims giving rise to liability, exceed the price paid by the original purchaser of the device.

Privacy Celerway collects general data pertaining to the use of Celerway products via the Internet including, by way of example, IP address, device ID, etc. To review Celerway's privacy policy and GDPR statements, please visit the Nimbus management system.

Other Binding Documents, Trademarks and Copyright By activating or using your device, you agree to be bound by Celerway's Terms of Use, User License and other Legal Policies, all as posted in the Nimbus management system. Please read these documents carefully.

FCC ID: 2AW69-CLWSTRATUS WARNING

This device complies with part 15 of the FCC Rules. Operation is subject to the condition that this device does not cause harmful interference (1) this device may not cause harmful interference, and (2) this device must accept any interference received, including interference that may cause undesired operation.

Any changes or modifications not expressly approved by the party responsible for compliance could void the user's authority to operate the equipment.

NOTE This equipment has been tested and found to comply with the limits for a Class B digital device, pursuant to Part 15 of the FCC Rules. These limits are designed to provide reasonable protection against harmful interference in a residential installation. This equipment generates, uses and can radiate radio frequency energy and, if not installed and used in accordance with the instructions, may cause harmful interference to radio communications. However, there is no guarantee that interference will not occur in a particular installation.

If this equipment does cause harmful interference to radio or television reception, which can be determined by turning the equipment off and on, the user is encouraged to try to correct the interference by one or more of the following measures:

- » Reorient or relocate the receiving antenna.
- » Increase the separation between the equipment and receiver.
- » Connect the equipment into an outlet on a circuit different from that to which the receiver is connected.
- » Consult the dealer or an experienced radio/TV technician for help.

To maintain compliance with FCC's RF Exposure guidelines, This equipment should be installed and operated with minimum distance between 20cm the radiator your body: Use only the supplied antenna.

IC ID: 26366-CLWSTRATUS WARNING

This device complies with Industry Canada licence-exempt RSS standard(s). Operation is subject to the following two conditions:

- (1) This device may not cause interference, and
- (2) This device must accept any interference, including interference that may cause undesired operation of the device.