

IN2216

Rail Mount Antenna

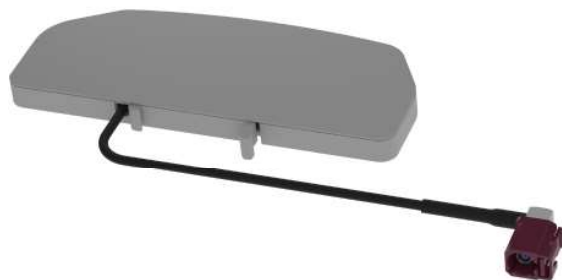
Issue Date: 26/05/2017 v.a

Rail Mount Meter Antenna

Low Profile

EN50022 Rail Mount

Right Angle FAKRA D Jack



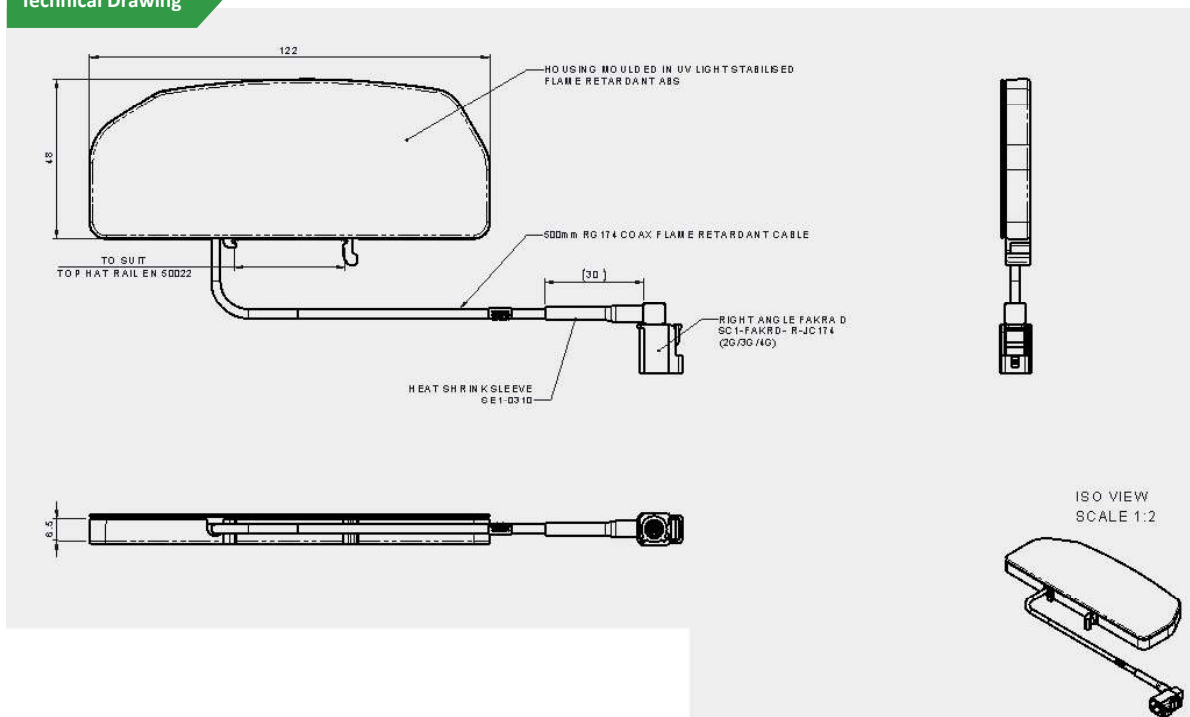
The Panorama IN2216 antenna is designed to decrease the lifetime cost of smart metering installations by offering a robust, effective antenna that is easy to install.

The antenna offers ground-plane independent omni-directional performance across the 800-960/1710- 2700MHz bands. The efficient element design ensures a high first time connection rate and an ongoing, robust communications link even in many low coverage areas+.

The antenna can be installed using the supplied EN50022 rail mount and offers a right angle FAKRA D Jack

+Performance may change based on mounting surface.

Technical Drawing



Product Data

Part No.

IN2216

Electrical Data

Frequency Range (MHz)	800-960 / 1710-2700
Typical Peak Gain: Isotropic †	2dBi
Polarisation	Vertical
Pattern	Omni-directional
Impedance	50Ω
Max input power (W)	10

Mechanical Data

Dimensions (mm)	Height	122 (4.8")
	Length	48 (1.89")
	Depth	6.5 (0.25")
Operating Temp (°C)	-30° / +70°C (-30° / 158°F)	
Material	Flame Retardant ABS Plastic	
Colour	RAL 7047- Grey	

Mounting Data

Fixing	EN50022 Rail Mount
--------	--------------------

Cable Data

Cable Type	Flame Retardant RG174
Diameter (mm)	2.8 (.1")
Length (m)	0.5 (1.5')
Min Bend Radius (mm)	6.35
Termination	R/A FAKRA D Jack

† Peak gain does not include cable attenuation

VSWR

Typical VSWR*



*VSWR measured mounted on meter in cabinet in free space with 0.5m of RG174 cable