



## OMNI-280 User Guide

### South Africa

Unit 4, N1 Industrial Park  
Landmarks Ave  
Samrand, 0157,  
South Africa  
Tel: +27 12 657 0050  
info@poynting.tech

### Europe

Kronstadler Straße 4,  
81677 München  
Germany  
Tel: +49 89 2080 265 38  
Mob.: +49 176 529 733 50  
sales-europe@poynting.tech

Version: 2.0



## Index

1.	Packing Check List	4
2.	The appearance of each component	5
3.	Tools required	6
4.	Pole mounting	7
5.	Wall mounting	8
6.	Desk mounting	9
7.	Antenna mounting precautions	10
8.	Cable routing	10
9.	Safety	11

## 1 Packing Check List

Item	Description	Quantity
1.	OMNI-0280 antenna only	1
2.	M4 x 8mm Stainless Steel screw	3
3.	Wall bracket	1
4.	Coaxial cable clip	1
5.	Velcro hook	1
6.	Velcro loop	1

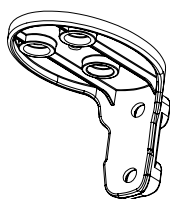
## 2 The Appearance of each component

### The appearance of each component

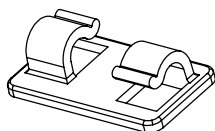
#### Antenna unit



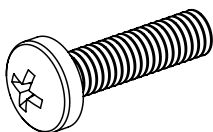
#### Wall bracket



#### Coaxial cable clip



#### M4 x 8mm stainless steel screw



**3****Tools Required**

**Tools that may be required:**

**Safety goggles**



**Masonry drill bit**



**Hand drilling machine**



**Screw driver-Cross slot/Philips**

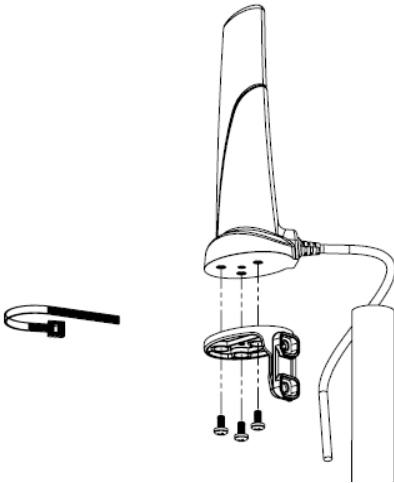


## 4

# Pole Mounting Configuration

## Pole Mounting

- Lay the antenna out at the installation site.
- Attach the bracket onto the base of the antenna using three M4 x 8mm screws.
- Run the cable tie or hose clamp around the bracket and pole until the bracket is secured to the pole.

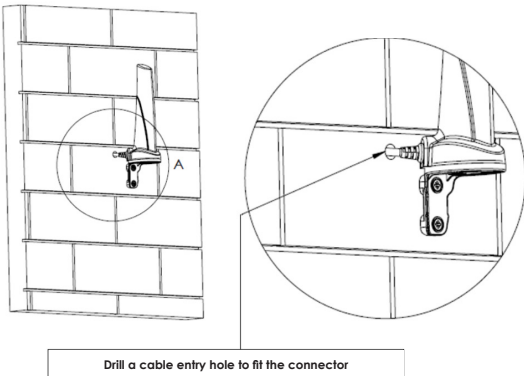
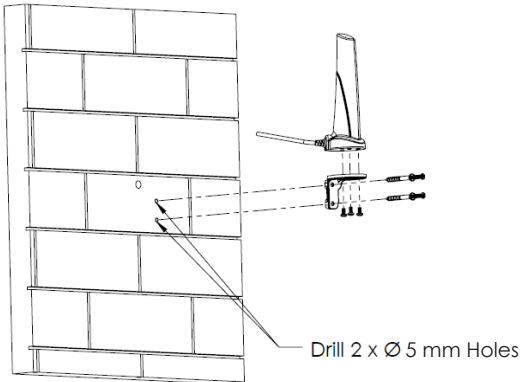


## 5

## Wall Mounting Configuration

Select a suitable place for mounting the antenna

- Using the wall mount bracket as a guide, mark two points to drill on the wall. Use a 5mm masonry drill bit to drill the marked points.
- Use a masonry drill bit to drill a cable entry hole to fit the connector.
- Place the bracket over the two holes and line up the holes in the bracket with the holes in the wall.
- Insert the two knock-in screws to mount the bracket to the wall.

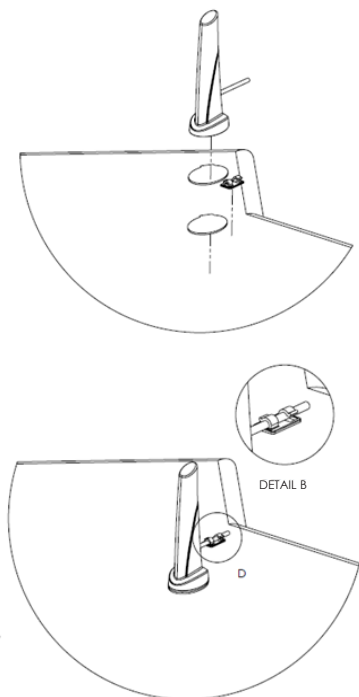




## 6

## Desk Mounting Configuration

- Select a suitable position on the desk to mount the antenna
- Peel the adhesive film off the Velcro hook and paste it onto the desk
- Peel the adhesive film off the Velcro loop and paste it underneath the base of the antenna
- Place the antenna with the Velcro loop onto the Velcro hook.
- Ensure that the antenna is sturdy.
- Once the above has been completed, peel the double-sided sticker of the coaxial cable clip and place the clip in a suitable position on the desk.
- Pass the cable through the cable clip to the router/machine.



## 7

## Antenna Mounting Precautions

- Place the antenna at the highest point possible and ensure that there are no surrounding obstructions to the antenna.
- In order to avoid communication interference, ensure that the antenna is placed at least 0.5m away from other antennas and metal objects.
- Avoid installing the antenna near a chimney, as the smoke and soot emitted through the chimney can obstruct the signal level achieved by the antenna.
- Install the antenna away from heat sources and flammable gases.

## 8

## Cable Routing

- Avoid wrapping the cable around the pole. Route the antenna cable straight down the inside of the pole to avoid using extra equipment such as cable ties.
- Use the minimum cable length required. Do not run more cable than needed to ensure that cable losses are minimised
- Never pull on the cable connectors; pull only on the cable ensuring the cable is not under tension.
- The allowable cable bend radius is 30mm; avoid sharp bends.
- Cover connectors with insulation tape before threading them through a hole.
- Install the cable with a drip-loop where the cable entry is above the point of connection. This will prevent water from running onto the antenna connector and other equipment which it is connected to.

- If you are installing an antenna for the first time, or if you are unsure about the antenna installation process, the use of a professional installer's services is recommended.
- Survey the installation site beforehand to identify safe access paths and/or ladder mounting positions, and hazards such as power lines and structural weak spots.
- When installing your antenna, remember:
  1. To minimize the risk of electrocution, install the antenna away from power lines.
  2. Do not install on a wet or windy day, or if lightning and/or thunder is forecasted/present.
  3. Wear shoes with rubber soles and heels, protective clothing, and rubber gloves.
  4. Avoid performing installations while under the influence of drugs, alcohol, or medication.
  5. Secure any loose-fitting jewellery/ clothing, and tie back long hair during the installation process.
  6. If the antenna or any of the installed components/equipment used begins to fall, do not attempt to catch it unless it cannot be avoided.

- When drilling, remember to:
  1. Use safety goggles when drilling the holes.
  2. Avoid using bits that are dull, bent or damaged.
  3. Be aware of where your fingers are in relation to the drill bit when using the drilling machine.
  4. To stop the drilling machine, let the drill chuck come to a complete stop on its own. Do not grasp the chuck in an attempt to stop the drill bit.
  5. Hold the drill correctly, as a sudden slip could cause severe damage to your hand.

**CAUTION:**

Antennas must be installed to provide a separation distance of at least 20cm from all persons so as to comply with SAR (Specific Absorption Rate) RF Exposure requirements.



European Waste Electronic Equipment Directive 2002/96/EC

Please ensure that old waste electricals and electronics are recycled.



Directive 2011/65/EU (RoHS 2)

This product is fully compliant with the RoHS 2 directive