

M2M & IOT

Low Profile Antennas

v2 04/08/2016

LPAB

- Low profile, vandal & tamper proof design
- One hole installation with optional screw fixing
- Suitable for plastic or metal enclosures
- Range of versions available for 2G or 3G Cellular, LORA & LPWA

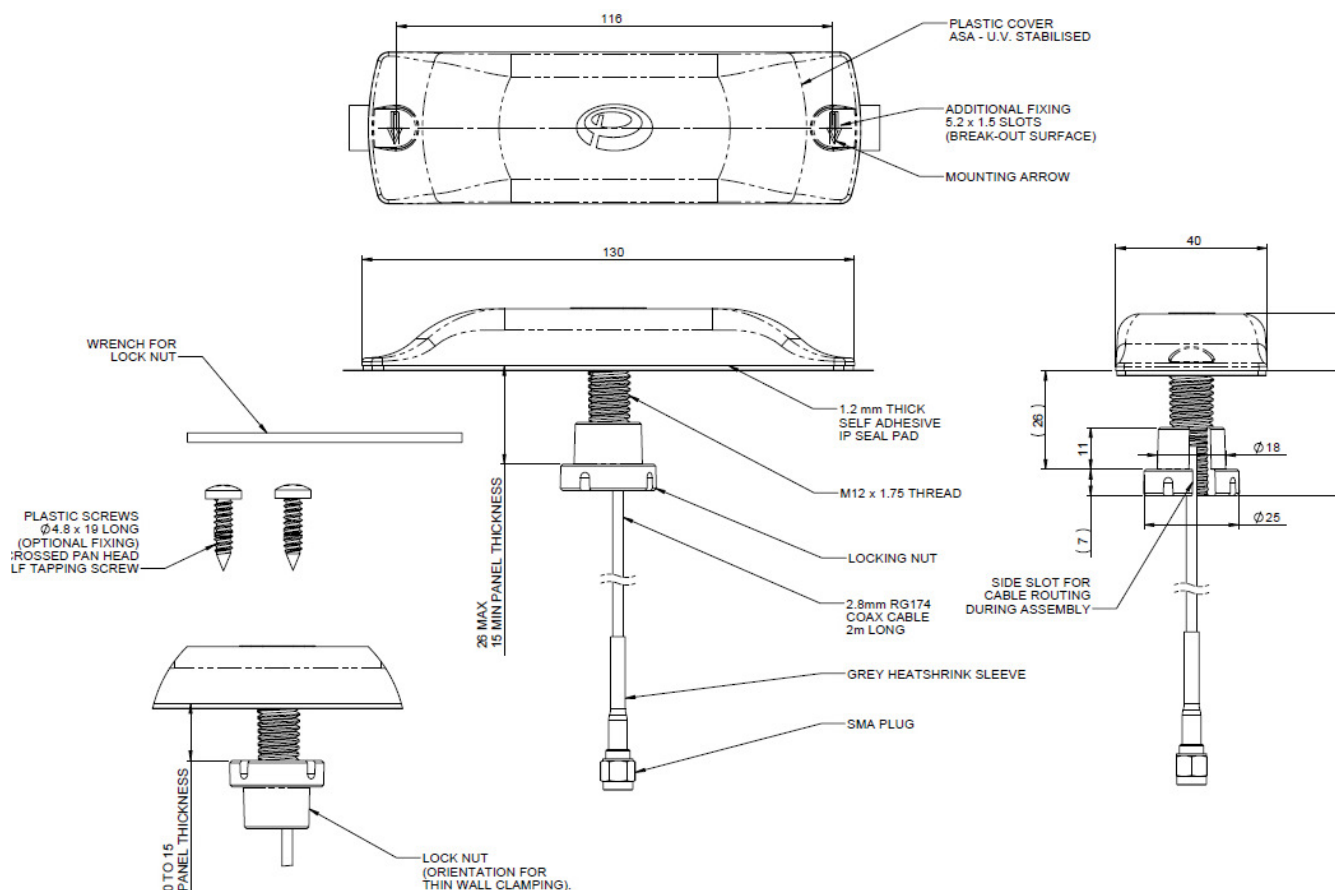


The Panorama LPAB range of antennas combine ergonomic style with sophisticated engineering. The rugged design features a solid impact resistant and weatherproof, plastic housing.

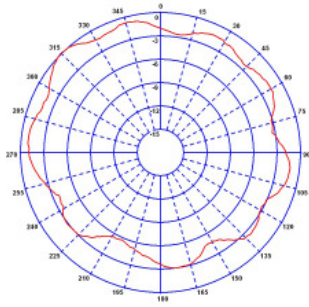
The low profile housing gives a high degree of vandal resistance making it perfect for vending machines or other telemetry devices in exposed locations that require reliable communications. The antenna is secured in place by a reversible locking nut allowing secure fitment to panels of between 1mm (0.04") and 26mm (1") thick.

The antenna offers ground-plane independent omni directional performance across up to three bands making it a versatile solution for a number of applications.

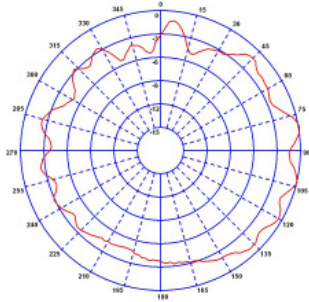
Technical Drawing



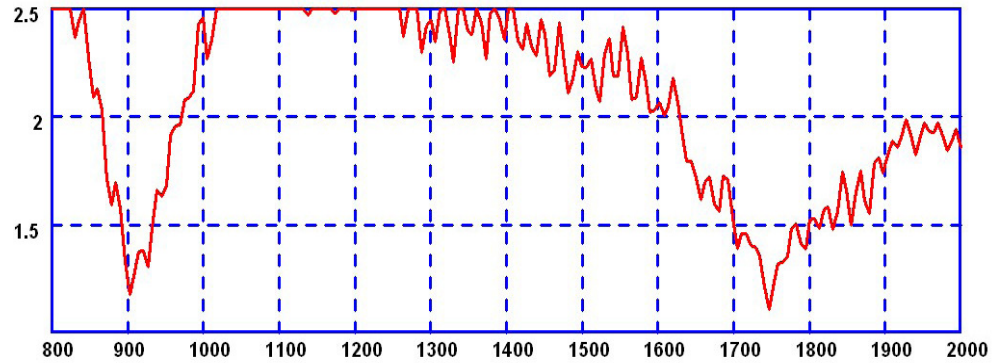
Typical H-Plane (900MHz)



Typical H-Plane (1800MHz)



Typical VSWR*



* LPAB-DE-2SP shown measured on a 600mm² (2') ground plane with 2m (6') of RG174 cable

Part No.	LPAB-868-3G-2SP	LPAB-DE-2SP	LPAB-AP-2SP
Electrical Data			
Frequency Range (MHz)	840-890, 2100-2170	890-960, 1710-1880	824-894, 1850-1990
Operational Band	868 & 3G UMTS	GSM900 & GSM1800	Cellular 850 & 1900
VSWR	< 2:1		
Peak Gain: Isotropic	0dBi		
Pattern	Omni-directional		
Impedance	50Ω		
Max Input Power (W)	25		
Mechanical Data			
Dimensions (mm)	Height	15.5 (0.61")	
	Length	130 (5.12")	
	Width	40 (1.57")	
Operating Temp (°C)	-40° / +80°C (-40° / +176°F)		
Material	Impact Resistant ABS / U.V. Stable		
Colour	Telegray 7047		
Mounting Data			
Fixing	Panel Mount with optional screw fixings		
	Diameter	12 (0.5")	
Cable Data			
Type	RG174		
Diameter (mm)	2.8 (0.1")		
Length (m)	2 (6',6")		
Termination	SMA Plug†		

† All micro connectors available

Panorama Antennas Ltd
Frogmore, London, SW18 1HF, United Kingdom

T: +44 (0)20 8877 4444
F: +44 (0)20 8877 4477

E: sales@panorama-antennas.com
www.panorama-antennas.com

Waiver: The data given above is indicative of the performance of the product/s under particular conditions and does not imply a guarantee of performance. These specifications are subject to change without notice.
Copyright © Panorama Antennas Ltd. All rights reserved.