

M2M IN2213

Low Profile Antenna

04/04/2017 v1



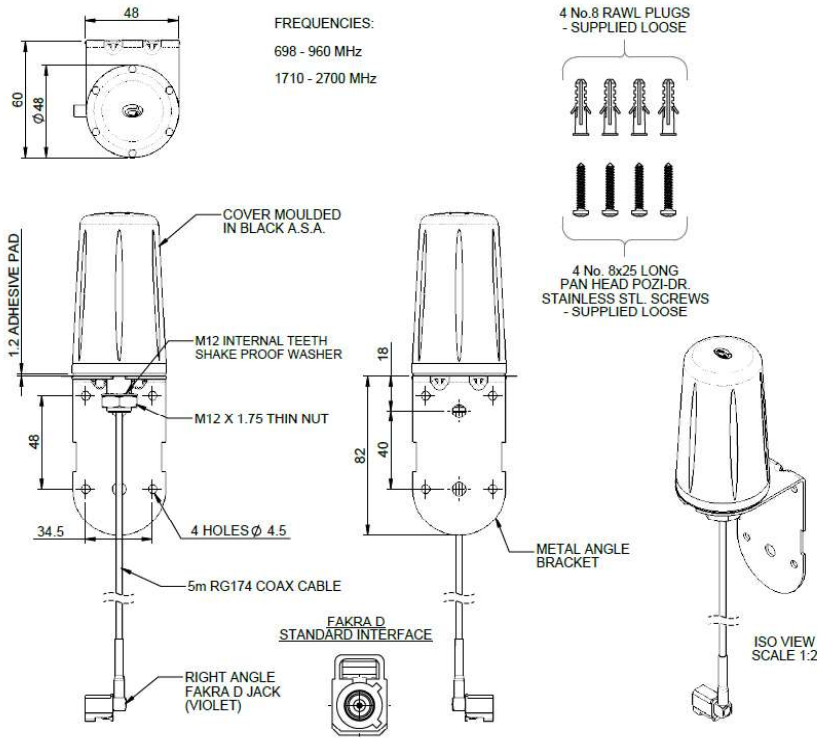
Rugged low profile design
 Covers global cellular / LTE bands
 Ideal for vending machines, utility meters & kiosks

The Panorama LPBE is a range of low cost high performance antennas for challenging applications. At only 82mm (3.22") high and protected by a robust high impact radome the antenna is almost impervious to daily wear, tear and impact.

The LPBE offers excellent performance across a wide bandwidth. Mounted on a 300mm diameter groundplane or optional accessory bracket the LPBE covers global cellular and LTE frequencies from 698-960 MHz and 1710-2700MHz making it an extremely versatile product.

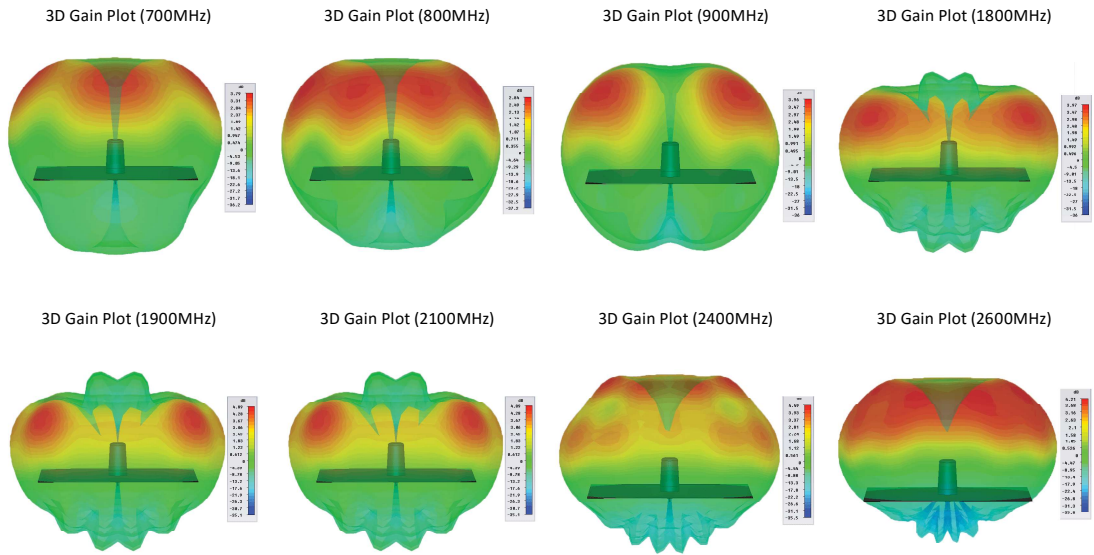
Supplied with a convenient adhesive pad and flexible RG174 cable the LPBE is easy to install and compatible with a large range of modems. The IN2213 is also supplied with a mounting bracket and a range of accessory screws and rawl plugs.

Technical Drawing

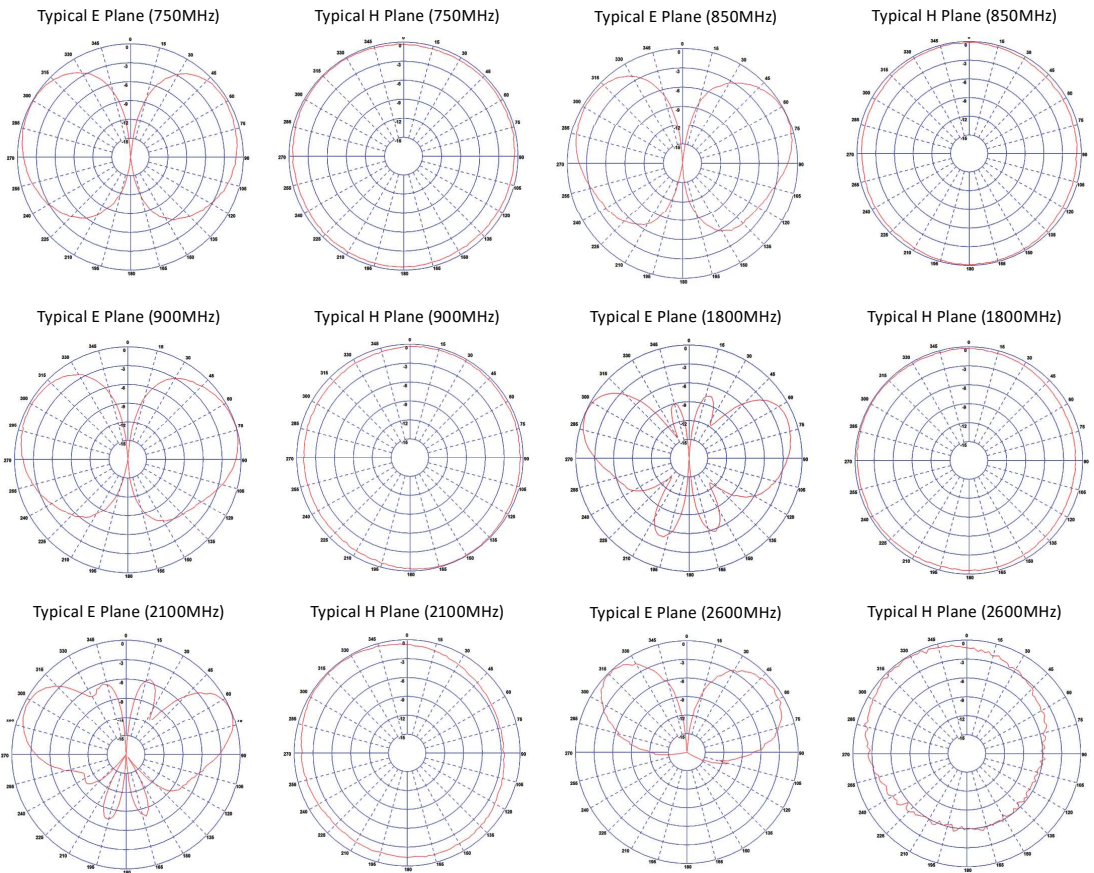


www.panorama-antennas.com/

Simulated Radiation Patterns*

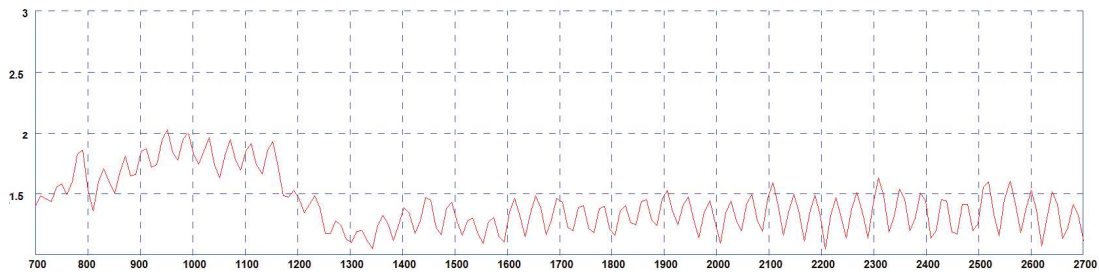


Measured Radiation Patterns*



*All simulations conducted in CST Microwave Studio on a 400 x 400mm (16" x 16") groundplane. All measured patterns taken on a 300mm (12") ground plane with 0.5m (1.5') of RG174 cable.

Typical VSWR*



*VSWR measured on a 300mm (12") diameter ground plane with with 2m (6'6") of RG174 cable.

Part No.		IN2213
Electrical Data		
Frequency Range (MHz)	698-960 / 1710-2700	
Operational Band	700/800/900/1800/1900/2100/ 2400/2600	
Peak Gain	698-960 MHz	3dBi
(excluding cable loss)	1710-2170 MHz	5dBi
	2170-2700 MHz	4dBi
Typical VSWR*	<2:1	
Polarisation	Vertical	
Pattern	Omni-directional	
Impedance	50Ω	
Max Input Power (W)	25	
Mechanical Data		
Dimensions (mm)	Height	82 (3.22")
	Diameter	48 (1.89")
Operating Temp (°C)	-40°/+80°C (-40°/176°F)	
Material	UV stable ABS	
Colour	Black	
Mounting Data		
Fixing	Panel mount	
Hole Diameter (mm)	12 (1/2")	
Max Panel Thickness (mm)	9 (0.35")	
Cable & Connector Data		
Cable Type	RG174	
Cable Diameter (mm)	2.8 (0.1")	
Cable Length (m)	5 (17')**	
Termination	R/A FAKRA Jack	

**VSWR measured on a 300mm (12") diameter ground plane with with 2m (6'6") of RG174 cable.

PANORAMA ANTENNAS

Panorama Antennas Ltd
Frogmore, London, SW18 1HF, United Kingdom

T: +44 (0)20 8877 4444
F: +44 (0)20 8877 4477
E: sales@panorama-antennas.com
www.panorama-antennas.com

Waiver: The data given above is indicative of the performance of the product/s under particular conditions and does not imply a guarantee of performance. These specifications are subject to change without notice.

Copyright © Panorama Antennas Ltd. All rights reserved.

www.panorama-antennas.com/