

# TETRA UHF DPXA-BC-160-SMBJ

FM Splitter

25/09/2013 V1

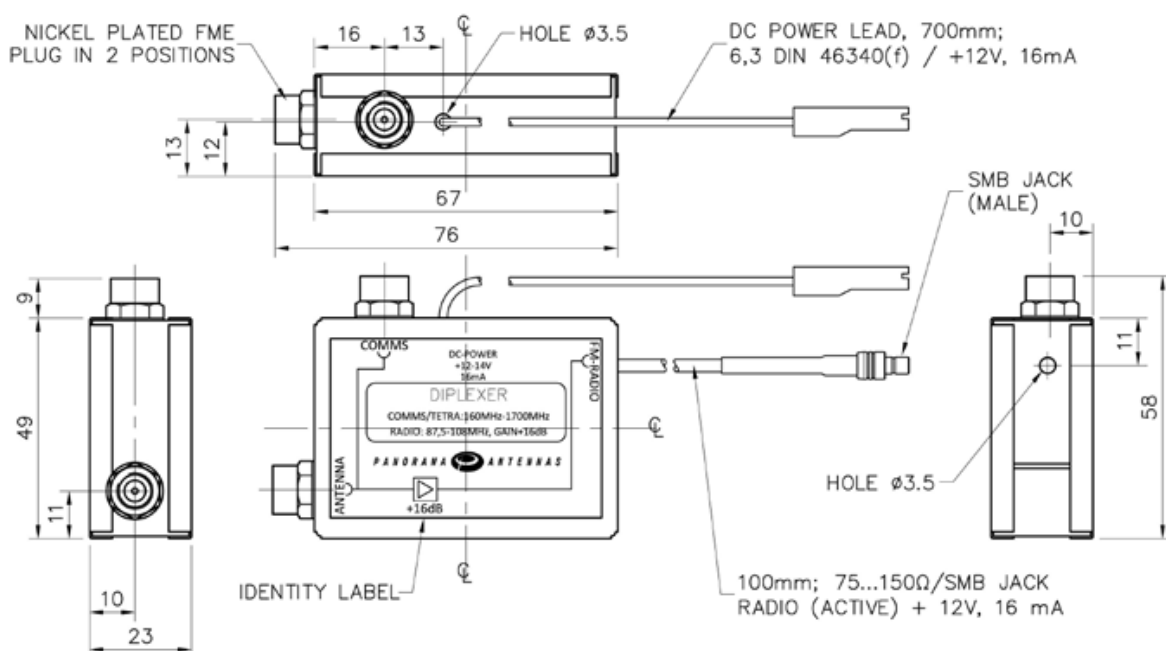


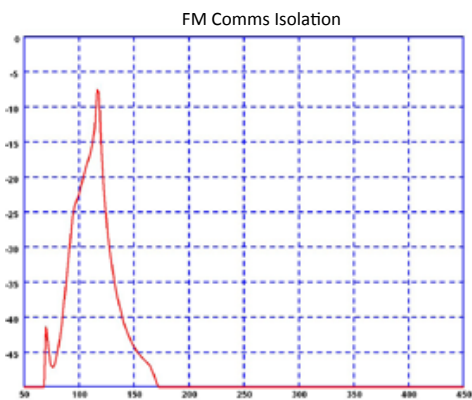
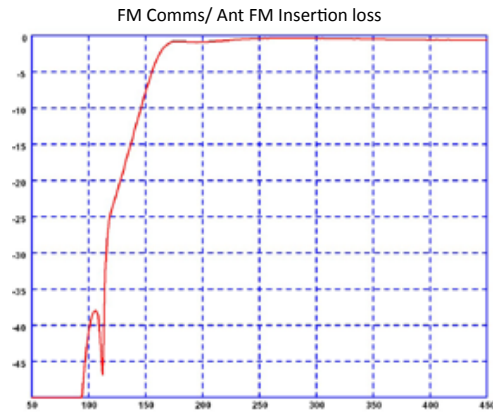
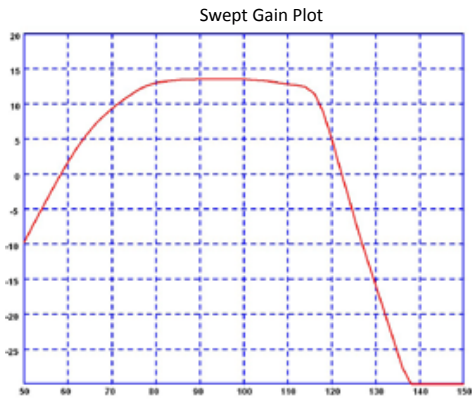
## DPXA-BC-160-SMBJ

The DPXA-BC-160-SMBJ allows professional users to swap out factory fit antenna systems but retain FM radio coverage. When used with a compatible Panorama whip the DPXA-BC-160-SMBJ splits off and amplifies FM from the standard whip feed ensuring that a professional antenna installation doesn't have to mean a loss of FM coverage.

The DPXA is compatible with the GPSB GPS combination base and the AFBG range, AFBQ range, ASF-155-S4-821 or ASFC-155-U2-821 whips.

### Technical Drawing





<b>Part Number</b>		DPXA-BC-160-SMBJ
<b>Electrical Data</b>		
Frequency Range( Mhz )		87.5-108 / 160-1700
Insertion Loss		< 0.5dB
Amplification (FM)		+16dB
Current		Typical 16 mA
Operation Voltage		12V (DC)
<b>Mechanical Data</b>		
Dimensions(mm )	Length	76 (3.0")
	Width	58 (2.3")
	Height	23 (0.9")
Operating Temp (°C)		-30°/+70°C (-22° /+158° F)
Material		Aluminium
Colour		Grey
Terminations	DC power lead	6, 3 Din 16310 (f)
	Antenna	FME (M)
	Comms	FME (M)
	FM Radio	SMB Jack (male)



**Panorama Antennas Ltd**  
Frogmore, London, SW18 1HF, United Kingdom

T: +44 (0)20 8877 4444  
F: +44 (0)20 8877 4477  
E: sales@panorama-antennas.com  
www.panorama-antennas.com

Waiver: The data given above is indicative of the performance of the product/s under particular conditions and does not imply a guarantee of performance. These specifications are subject to change without notice.

Copyright © Panorama Antennas Ltd. All rights reserved.