

**BRACKET | BRKT-037-V2-01**

# BRKT-037-V2-01

HEAVY DUTY MARINE FLAT MOUNT ANTENNA BRACKET 1"-14T 316S/S  
(WITH RUBBER SEAL)



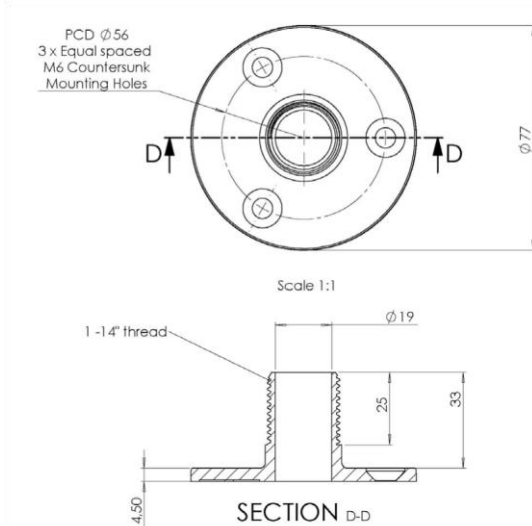
### Ordering Information

Commercial name: BRKT-037-V2-01  
 Order Product Code: A-BRKT-037-V2-01  
 EAN Number: 6009880915743

### Mechanical Specifications

Product Dimensions (Dxh): Ø77 x 37.5mm  
 Packaged Dimensions: 150 x 120 x 120mm  
 Weight: 0.267kg  
 Packaged Weight: 0.297kg  
 Antenna mounting thread: Standard 1" x 14 threads  
 Ø56mm equally spaced  
 Mounting hole: M6 countersunk  
 Material: 316 Grade stainless steel mount

### Product Drawing



### Product Box Contents

Product: A-BRKT-037-V2-01  
 Mounting: Deck or side mounting

### Certification Approvals and Standards

Flammability rating: UL:1581  
 IK Code: IK08  
 Product Safety: Complies with CE and RoHS standards



### Contact Poynting

**Poynting Antennas (Pty) Ltd - Head Office**  
 Unit 4, N1 Industrial Park  
 Landmarks Avenue,  
 Samrand, 0157  
 South Africa

**Poynting Europe**  
 Regus Business Center Neue Messe Riem  
 Kronstadter Straße 4  
 81677 München  
 Germany

**Phone:** +27 (0) 12 657 0050  
**E-mail:** sales@poynting.co.za

**Phone:** +49 89 208026538  
**E-mail:** sales-europe@poynting.tech

**BRKT-037**