

PCX-SMAP-C3G

2G/3G frequency coverage

Cost effective design

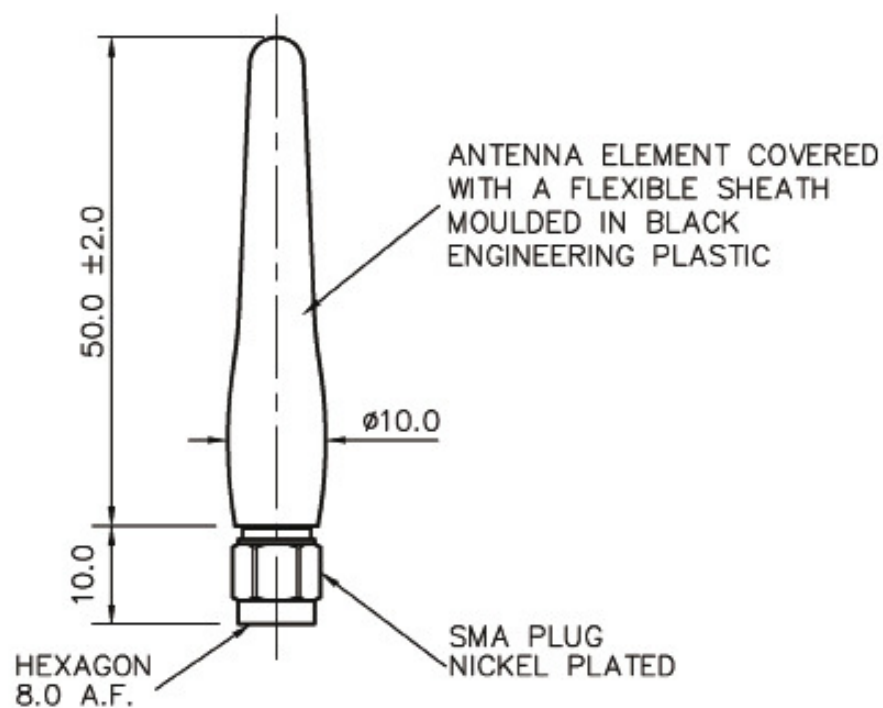
SMA plug connector



The PCX-SMAP-C3G wireless terminal antenna is suitable for portable and stationary terminal equipment that requires a compact, cost effective 2G/3G antenna with an SMA connector.

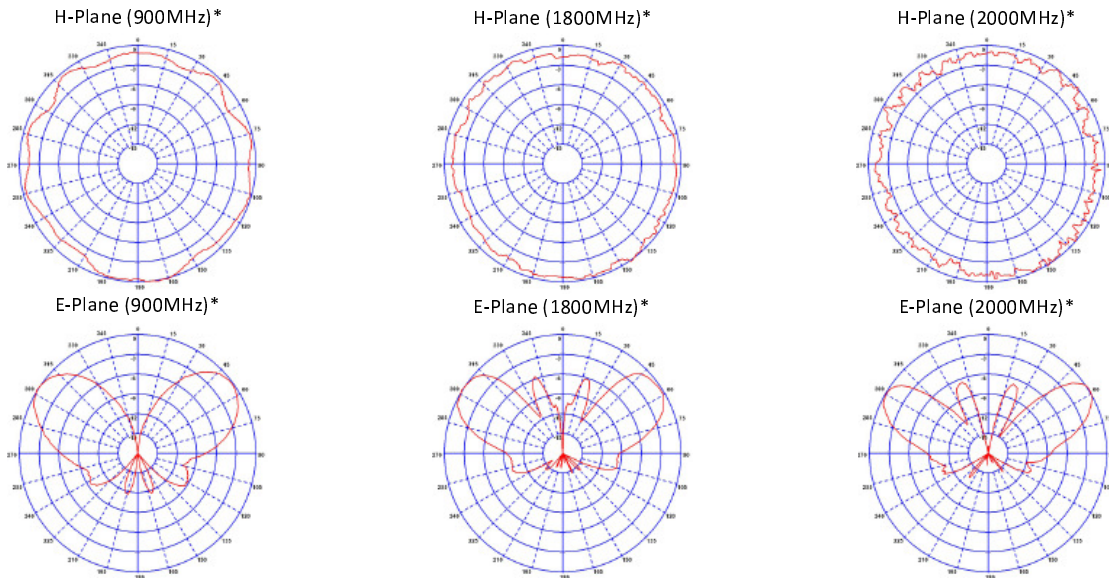
Pentaband functionality allows the antenna to be used for many different applications and to offer a high level of versatility.

Technical Drawing

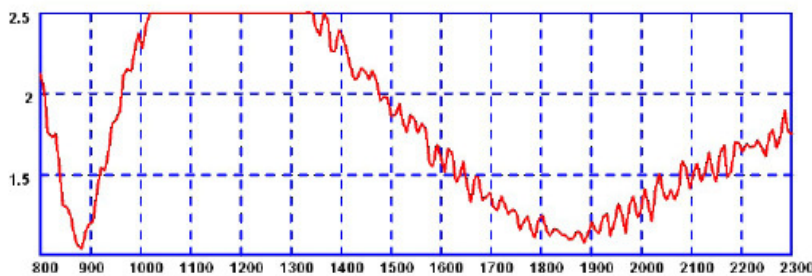


M2M & IOT

Pentaband Stubby Antenna



Typical VSWR



*Measurements taken with 150mm2 (6") ground plane with 5m (17') of CS29 cable

Part No.		PCX-SMAP-C3G
Electrical Data		
Frequency Range (MHz)	805-960, 1710-1880, 1850-1990, 1990-2170	
Operational Band	AMPS800 / GSM850, GSM900, GSM1800, PCS1900, 3G UMTS	
Typical VSWR	≤ 2:1	
Peak Gain: Isotropic	2dBi	
Pattern	Omni-directional	
Polarisation	Vertical	
Impedance	50Ω	
Max Input Power (W)	20	
Mechanical Data		
Dimensions (mm)	Height	60 (2.36")
	Diameter	10 (0.4")
Operating Temp (°C)	-30° / +70°C (-22° / +158°C)	
Material	Black TPE	
Connector		
Type	SMA plug	

Panorama Antennas Ltd
Frogmore, London, SW18 1HF, United Kingdom

T: +44 (0)20 8877 4444
F: +44 (0)20 8877 4477
E: sales@panorama-antennas.com
www.panorama-antennas.com

Waiver: The data given above is indicative of the performance of the product/s under particular conditions and does not imply a guarantee of performance. These specifications are subject to change without notice.

Copyright © Panorama Antennas Ltd. All rights reserved.