

BRACKET | BRKT-038

BRKT-038

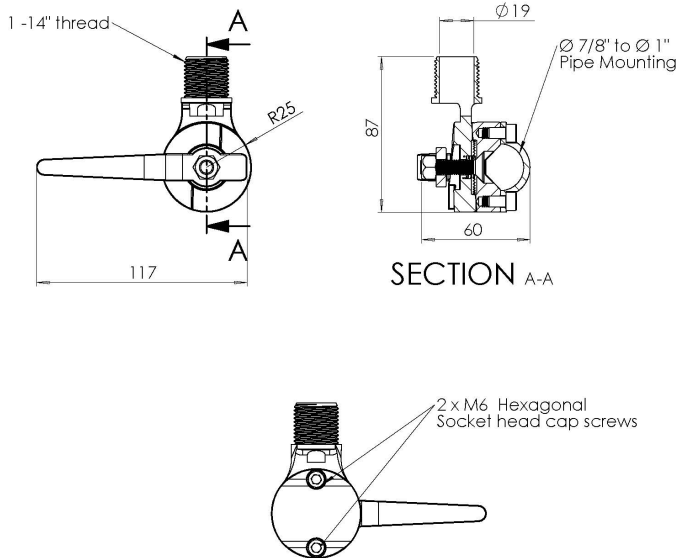
HEAVY DUTY MARINE RATCHET RAIL MOUNT ANTENNA BRACKET 1"-14T 316 S/S



Ordering Information

Commercial name: BRKT-038
 Order Product Code: A-BRKT-038
 EAN Number: 0707273469151

Product Drawings



Mechanical Specifications

Product Dimensions (LxH): 117 x 87 x 60mm
 Packaged Dimensions: 150 x 120 x 120mm
 Weight: 0.603kg
 Packaged Weight: 0.633kg
 Antenna mounting thread: Standard 1" x 14 threads
 Mounting pipe: Ø7/8" to Ø1"
 Material: 316 Grade stainless steel mount

Product Box Contents

Product: A-BRKT-038
 Mounting: Rail mounting

Certification Approvals and Standards

Flammability rating: UL:1581
 IK Code: IK08
 Product Safety: Complies with CE and RoHS standards

Contact Poynting

Poynting Antennas (Pty) Ltd - Head Office

Unit 4 N1 Industrial Park
 Landmarks Avenue
 Samrand 0157
 South Africa

Phone: +27 (0) 12 657 0050
E-mail: sales@poynting.co.za

Poynting Europe

Regus Business Center Neue Messe Riem
 Kronstadter Straße 4
 81677 München
 Germany

Phone: +49 89 208026538
E-mail: sales-europe@poynting.tech

