

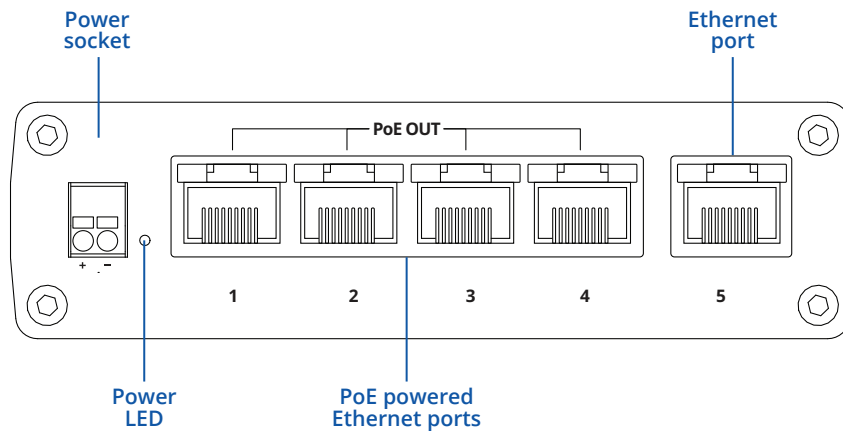
TELTONIKA | Networks

TSW101

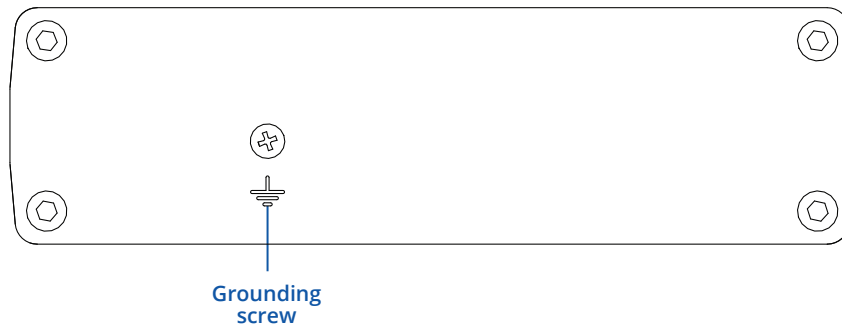


HARDWARE

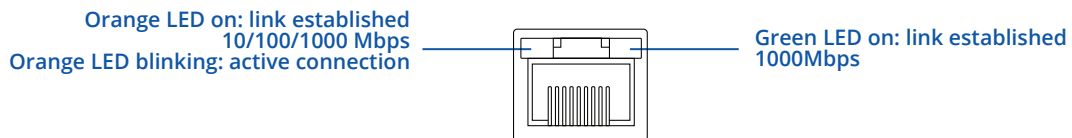
FRONT VIEW



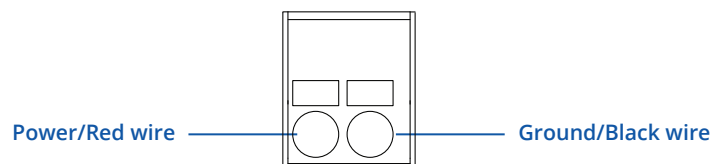
BACK VIEW



RJ45 LED MEANING



POWER SOCKET PINOUT



FEATURES

ETHERNET

| | |
|-----|--|
| LAN | 5 x RJ45 ports, 10/100/1000 Mbps, compliance with IEEE 802.3, IEEE 802.3u, 802.3az standards, supports auto MDI/MDIX crossover |
|-----|--|

PoE OUT

| | |
|---------------------------------|---------------------|
| PoE ports | Port 1 - 4 |
| PoE standards | 802.3af and 802.3at |
| PoE Max Power per Port (at PSE) | 30 W |
| Total PoE Power Budget (at PSE) | 60 W |
| Maximum Ethernet cable length | 100 m |

PERFORMANCE SPECIFICATIONS

| | |
|--------------------------|------------|
| Bandwidth (Non-blocking) | 10 Gbps |
| Packet buffer | 128 KB |
| MAC address table size | 2K entries |
| Jumbo frame support | 9216 bytes |

POWER

| | |
|-----------------------------|---|
| Connector | 2-pin industrial DC power socket |
| Input voltage range | 9 - 30 VDC |
| Input voltage range for PoE | 9 - 30 VDC |
| Power consumption | Idle: 0.8 W / Max: 2.2 W / PoE Max: 106 W |

PHYSICAL INTERFACES (PORTS, LEDS, ANTENNAS, BUTTONS, SIM)

| | |
|-------------|---|
| Ethernet | 5 x RJ45 ports, 10/100/1000 Mbps |
| Status LEDs | 1 x Power LED, 10 x ETHERNET status LED's |
| Power | 1 x 2-pin industrial DC power socket |
| Grounding | 1 x Grounding screw |

PHYSICAL SPECIFICATION

| | |
|------------------------|---|
| Casing material | Aluminum housing |
| Dimensions (W x H x D) | 115 x 32 x 95 mm |
| Weight | 354 g |
| Mounting options | DIN rail or wall mounting (additional kit needed), flat surface placement |

OPERATING ENVIRONMENT

| | |
|---------------------------|-----------------------------|
| Operating temperature | -40 °C to +75 °C |
| Operating humidity | 10 % to 90 % non-condensing |
| Ingress Protection Rating | IP30 |

CERTIFICATION & APPROVALS

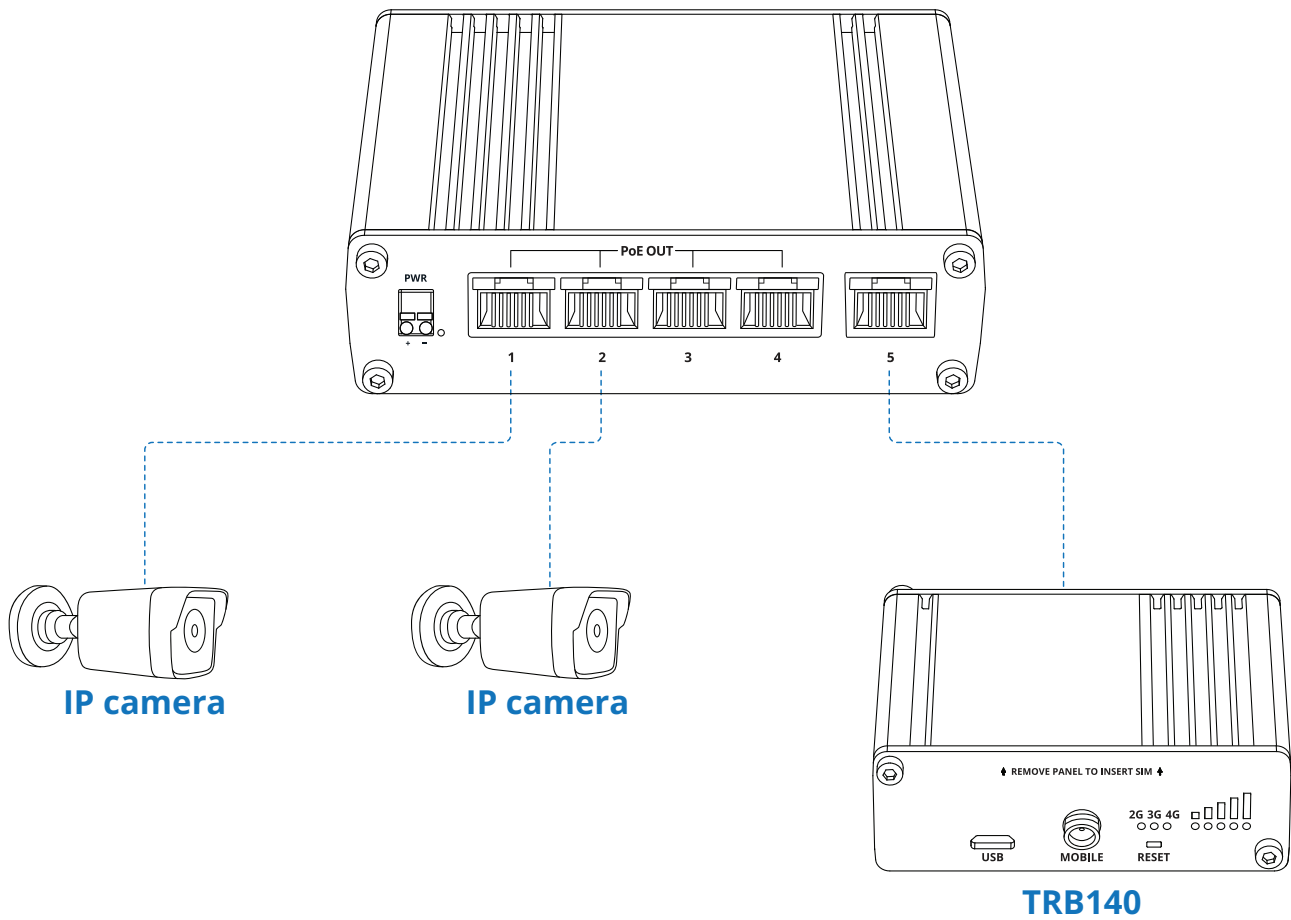
| | |
|------------|---|
| Regulatory | CE, REACH, RoHS, WEEE TSW101 CE TSW101 UKCA TSW101 FCC TSW101 IC TSW101 CB TSW101 RCM E-Mark |
|------------|---|

SAFETY

| | |
|-----------|------------------------------|
| Standards | EN IEC 62368-1:2020+A11:2020 |
|-----------|------------------------------|

HARDWARE INSTALLATION

1. Connect your primary internet router/modem to the fifth Ethernet port of TSW101.
2. Connect the end devices you want to power over Ethernet (e.g., an IP camera) through Ethernet ports 1 to 4.
3. Connect the wires to the 2-PIN industrial DC power socket on TSW101.



TECHNICAL INFORMATION

| Technical specifications | |
|--|------------|
| Input voltage range | 9 – 30 VDC |
| Max power consumption no PoE devices connected | <2.2 W |
| Max PoE power budget at PSE* | 60 W |
| Max Ethernet cable length | 100 m |

* Depends on connected power source.(30 W (max.) @ 12 VDC for total PD consumption; 30 W (max.) for each PoE port ; 60 W (max.) @ 24 VDC for total PD consumption; 30 W (max.) for each PoE port).

WHAT'S IN THE BOX?

STANDARD PACKAGE CONTAINS

- TSW101
- QSG (Quick Start Guide)
- Packaging box



STANDARD ORDER CODES

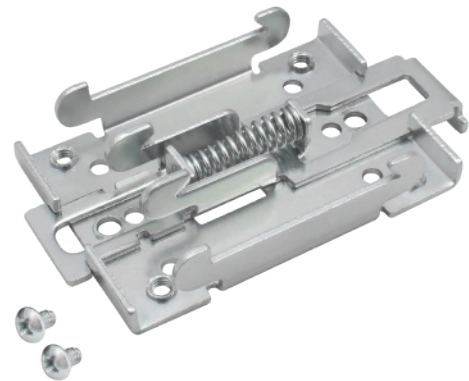
| PRODUCT CODE | HS CODE | HTS CODE | PACKAGE CONTAINS |
|---------------|---------|------------|------------------|
| TSW101 000000 | 851762 | 8517.62.00 | Standard package |

For more information on all available packaging options – please contact us directly.

MOUNTING OPTIONS

DIN RAIL KIT

| Parameter | Value |
|-------------------|---|
| Mounting standard | 35mm DIN Rail |
| Material | Low carbon steel |
| Weight | 57g |
| Screws included | Philips Pan Head screw #6-32×3/16, 2pcs |
| Dimensions | 82 mm x 46 mm x 20 mm |
| RoHS Compliant | V |



DIN RAIL KIT

- DIN Rail adapter
- Philips Pan Head screw #6-32×3/16, 2pcs for RUT2xx/RUT9xx

| ORDER CODE | PRODUCT CODE | HS CODE | HTS CODE |
|------------|--------------|----------|------------|
| 088-00267 | PR5MEC00 | 73269098 | 7326.90.98 |

For more information on all available packaging options – please contact us directly.

COMPACT DIN RAIL KIT

| Parameter | Value |
|-------------------|---|
| Mounting standard | 35mm DIN Rail |
| Material | ABS + PC plastic |
| Weight | 6.5 g |
| Screws included | Philips Pan Head screw #6-32×3/16, 2pcs |
| Dimensions | 70 mm x 25 mm x 14,5 mm |
| RoHS Compliant | V |



DIN RAIL KIT

- Compact plastic DIN Rail adapter (70x25x14,5mm)
- Philips Pan Head screw #6-32×3/16, 2pcs

| ORDER CODE | PRODUCT CODE | HS CODE | HTS CODE |
|------------|--------------|----------|------------|
| 088-00270 | PR5MEC11 | 73269098 | 7326.90.98 |

For more information on all available packaging options – please contact us directly.

SURFACE MOUNTING KIT

| Parameter | Value |
|-------------------|---|
| Mounting standard | Flat surface mount |
| Material | ABS + PC plastic |
| Weight | 2x5 g |
| Screws included | Philips Pan Head screw #6-32×3/16, 2pcs |
| Dimensions | 25 mm x 48 mm x 7.5 mm |
| RoHS Compliant | V |



DIN RAIL KIT

- Surface mounting kit
- Philips Pan Head screw #6-32×3/16, 2pcs

| ORDER CODE | PRODUCT CODE | HS CODE | HTS CODE |
|------------|--------------|----------|------------|
| 088-00281 | PR5MEC12 | 73269098 | 7326.90.98 |

For more information on all available packaging options – please contact us directly.

TSW101 SPATIAL MEASUREMENTS & WEIGHT

MAIN MEASUREMENTS

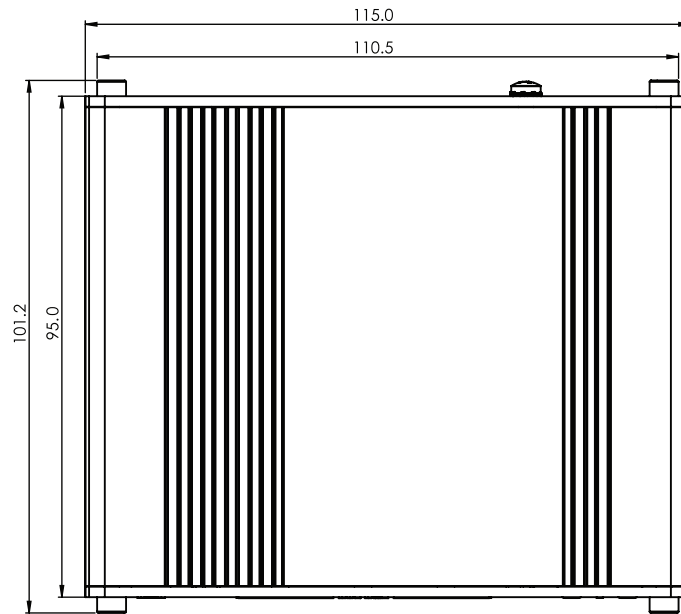
W x H x D dimensions for TSW101:

Device housing: 115 x 32 x 95

Box: 173 x 71 x 148

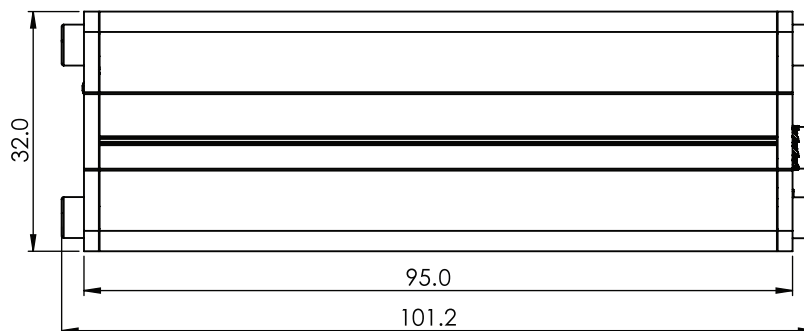
TOP VIEW

The figure below depicts the measurements of TSW101 and its components as seen from the top:



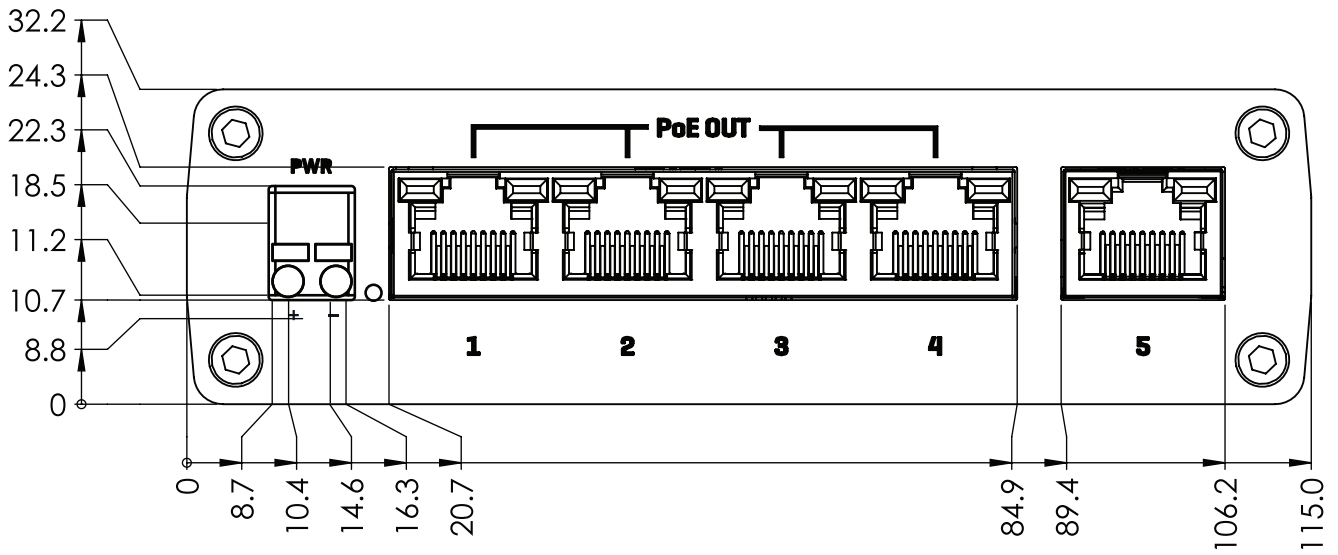
RIGHT VIEW

The figure below depicts the measurements of TSW101 and its components as seen from the right side:



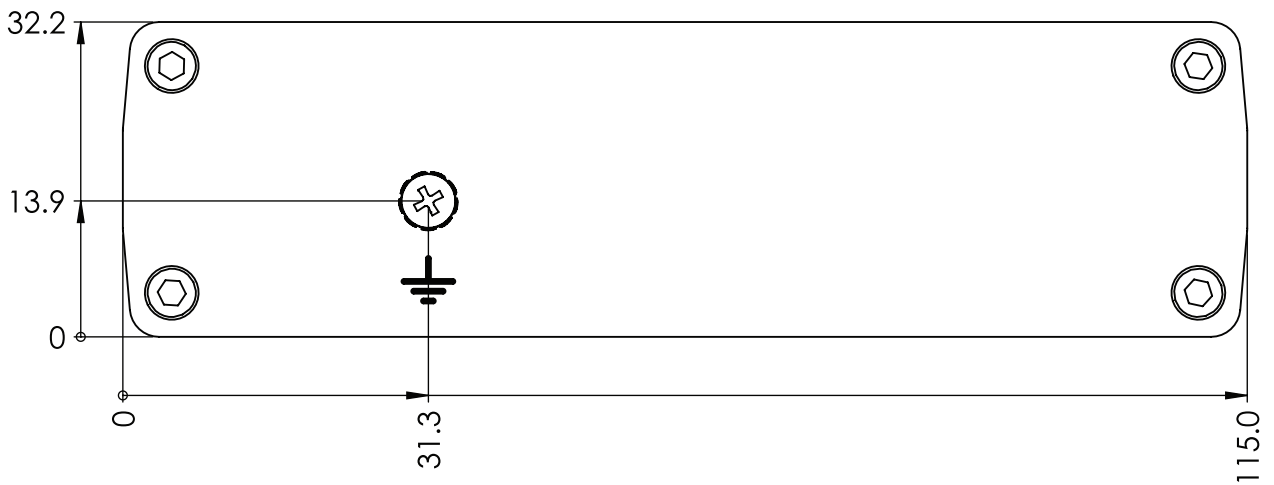
FRONT VIEW

The figure below depicts the measurements of TSW101 and its components as seen from the front panel side:



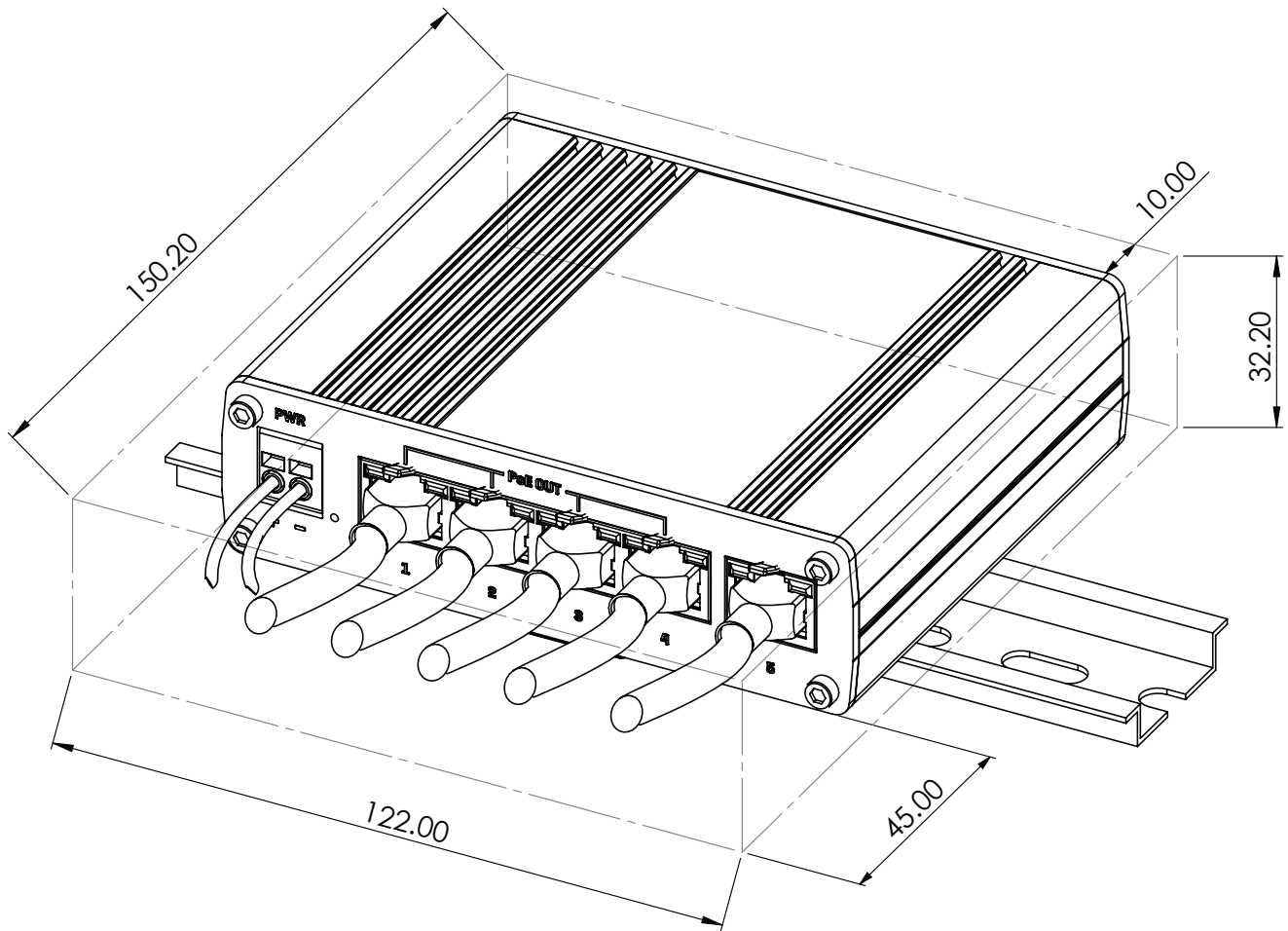
REAR VIEW

The figure below depicts the measurements of TSW101 and its components as seen from the back panel side:



MOUNTING SPACE REQUIREMENTS

The figure below depicts an approximation of the device's dimensions when cables and antennas are attached:



DIN RAIL

The scheme below depicts protrusion measurements of an attached DIN Rail:

