

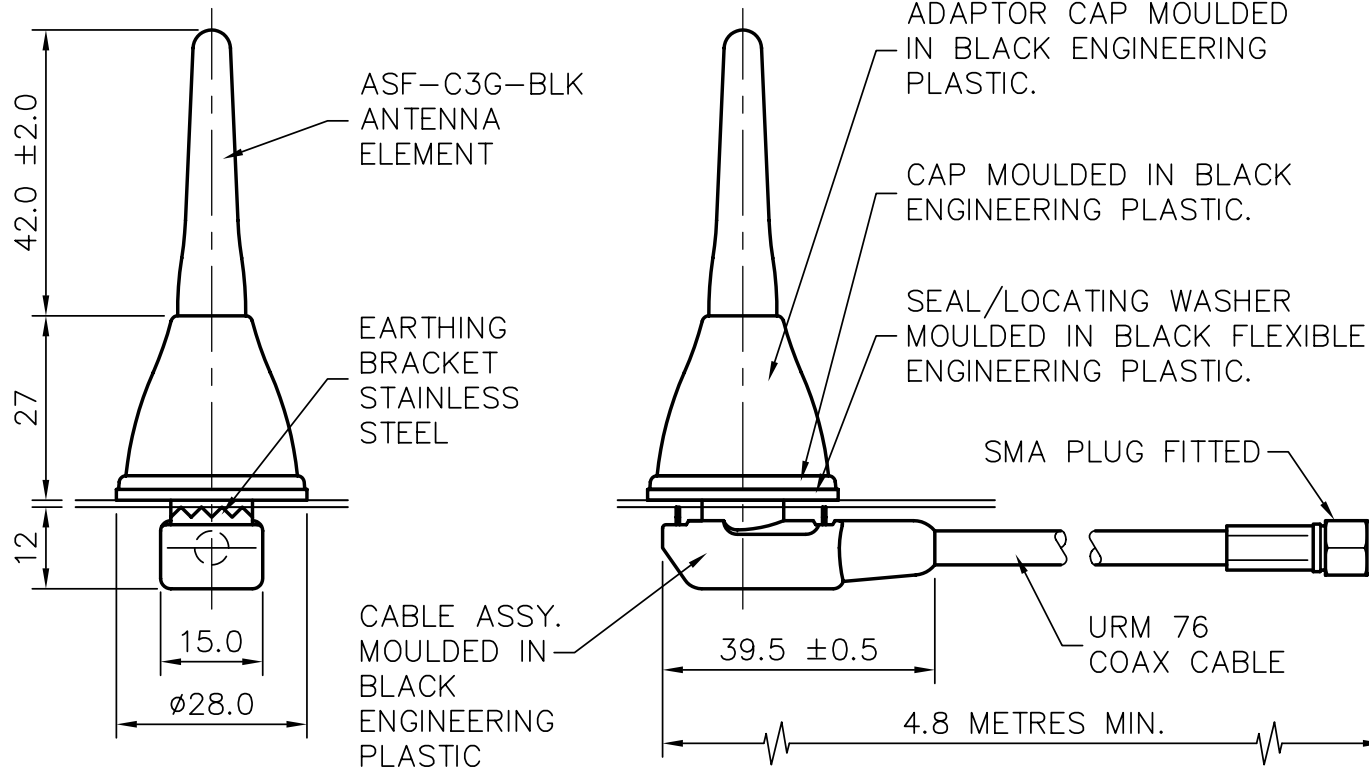
NOTES: -

1. MOUNTING HOLE $\phi 12.5$ (1/2") FOR MOUNTING FROM INSIDE VEHICLE.
 FOR OUTSIDE MOUNTING $\phi 19.0$ (3/4") HOLE.

2. LOCKING CAP TO BE ASSEMBLED WITH A TORQUE OF 4Nm (3lb ft).

3. OPERATING FREQUENCIES: -
 AMPS: - 805-894MHz.
 GSM: - 890-960MHz.
 PCN: - 1710-1880MHz.
 PCS: - 1850-1990MHz.
 UMTS: - 1900-2170MHz.

THIS IS A PROPRIETARY ITEM OF PANORAMA ANTENNAS LTD. AND COULD BE SUBJECT TO CHANGE WITHOUT PRIOR NOTICE.



DRG. No. EBM-C3G-5SP	
TITLE MULTI BAND ANTENNA AND EBM BASE ASSY. 5m COAX, SMA PLUG	
MATERIAL	
FINISH	
DRAWN A.G.	DO.CHECK K.D.
SCALE 1:1	DIMENSIONS IN mm
FILE EBM-C3G-5SP	
TOLERANCES UNLESS OTHERWISE STATED 0 DEC. PLACE ±0.5 2 DEC. PLACES ±0.1 1 DEC. PLACE ±0.2 ANGULAR ±1'	
DO NOT SCALE	PROJECTION
C/NOTE	ISSUE DATE APPROVAL
00565	1 14.7.05 K.D.
- DENOTES LATEST ISSUE CHANGES	
THIS DOCUMENT MUST NOT BE COPIED OR DISCLOSED TO A THIRD PARTY WITHOUT THE WRITTEN CONSENT OF PANORAMA ANTENNAS LTD.	
© 2005	A4