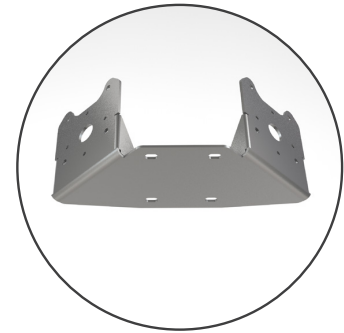
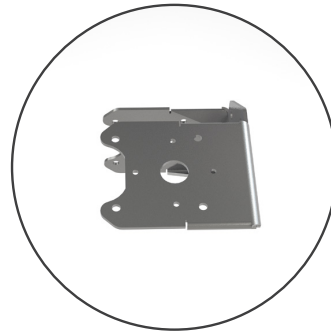


**BRACKET | BRKT-033**

# BRKT-033

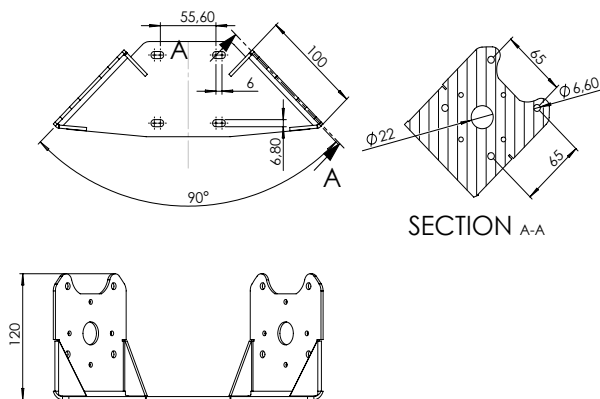
±45° POLARIZATION BRACKET FOR LPDA-92 AND OMNI-69



### Ordering Information

Commercial name: BRKT-033  
 Order Product Code: A-BRKT-033  
 EAN Number: 0707273469359

### Product Drawing



### Mechanical Specifications

Product Dimensions (LxW): 414 x 166mm  
 Packaged Dimensions (Polybag): 425 x 175mm  
 Weight: 0.990kg  
 Packaged Weight: 1.005kg  
 Material: 3mm 3CR12  
 Process: Laser cut, bend & weld  
 Surface finish: Brushed

### Product Box Contents

Product: A-BRKT-033  
 M6 Washers (SS): 16  
 M6 Nuts (SS): 8  
 M6 x 30 Hexagonal Bolts (SS): 8

### Certification Approvals and Standards

Flammability rating: UL:1581  
 Salt spray: MIL-STD810F/ASTM B117  
 Product Safety: Complies with UL, CE, EN, CSA and IEC standards



### Contact Poynting

#### Poynting Antennas (Pty) Ltd - Head Office

Unit 4, N1 Industrial Park  
 Landmarks Avenue,  
 Samrand, 0157  
 South Africa

Phone: +27 (0) 12 657 0050  
 E-mail: sales@poynting.co.za

#### Poynting Europe

Regus Business Center Neue Messe Riem  
 Kronstadter Straße 4  
 81677 München  
 Germany

Phone: +49 89 208026538  
 E-mail: sales-europe@poynting.tech

#### BRKT-033

©2015 Poynting Antennas (Pty) Ltd. All rights reserved.  
 Product Specifications may change without prior notice  
 Revised: October 2016

Regulatory Compliance: RoHS 2011/65/EU Compliant | ISO 9001:2008  
 Document version: TS-A-BRKT-033\_V1  
 www.poynting.tech