

SAB-224

Magnetic Mount Solution
for Trials and Drive-Testing

PANORAMA ANTENNAS

SAB-224

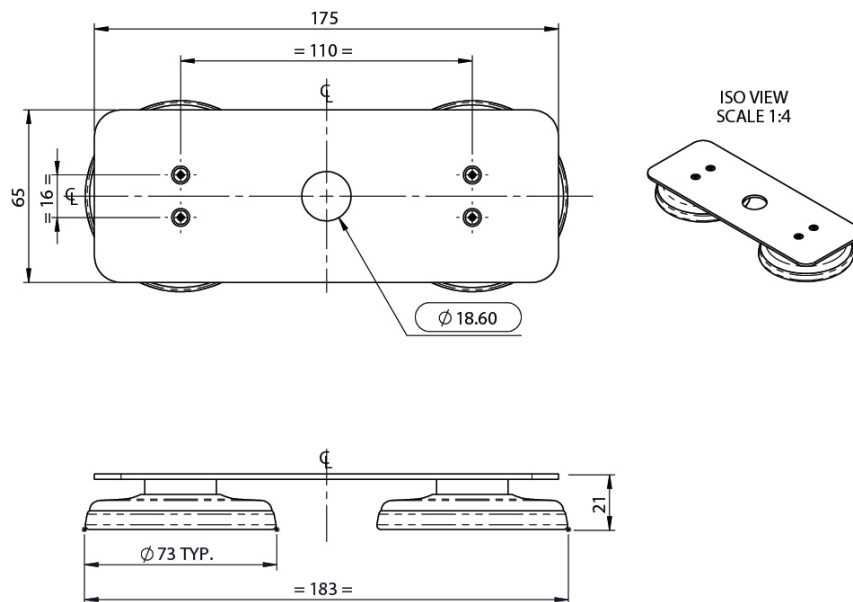


For use with the GPSD/GPSPDC/FINDC range of SharkFin style antennas, the SAB-224 provides a magnetic mount solution for antenna trials and drive-testing.

Using two heavy duty magnets fitted to an aluminium alloy plate, this is a very easy, simple and quick solution that can be fitted anywhere on the vehicle to evaluate the antennas performance without drilling any holes.

NOTE – this solution does not offer a suitable ground-plane if using a VHF or UHF whip as part of the antenna configuration.

Technical Drawing



Part No.

SAB-224

Mechanical Data

Length (mm)	175mm (6.9")
Width (mm)	65mm (2.55")
Clearance (mm)	21mm (0.82")
Max panel thickness/ridge height (mm)	6.5mm (0.25")
Fixing	M3 x 8 long, pozi drive stainless steel screws
Material	Aluminium Alloy
Colour	Natural Finish

PANORAMA ANTENNAS

Panorama Antennas Ltd
Frogmore, London, SW18 1HF, United Kingdom

Waiver: The data given above is indicative of the performance of the product/s under particular conditions and does not imply a guarantee of performance. These specifications are subject to change without notice. Copyright © Panorama Antennas Ltd. All rights reserved.

T: +44 (0)20 8877 4444
F: +44 (0)20 8877 4477
E: sales@panorama-antennas.com
www.panorama-antennas.com