

LPBU-[VAR]-NJ



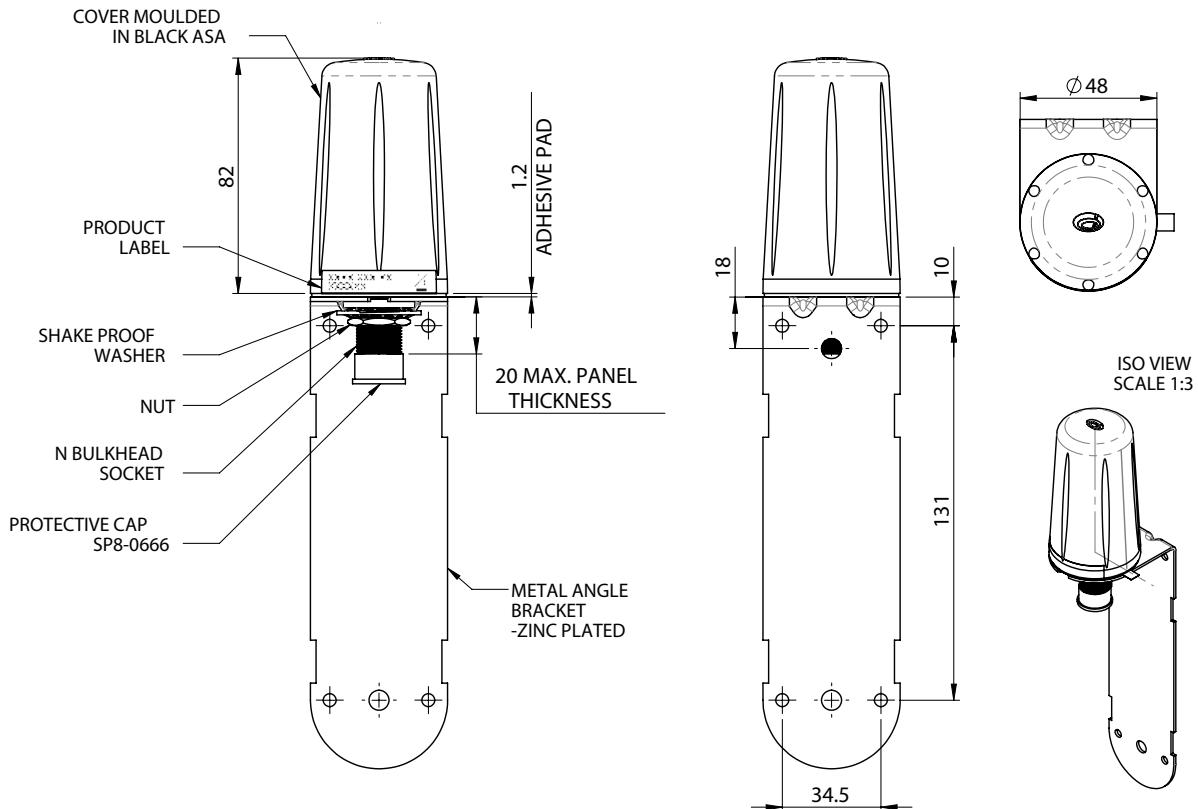
Rugged Low Profile Design
UHF Element
Bracket mounted

LPBU-[VAR]-NJ is a low profile fixed UHF antenna in a robust compact housing.

Designed to be tough yet cost effective, the antenna is completely enclosed in a moulded housing made from weather and impact resistant plastic.

The antenna is supplied with an offset bracket which allows for easy mounting and provides an electrical ground plane. The antenna features an N Jack type connector allowing use of a variety of cable types and lengths.

Technical Drawing





New Profile Bracket Mount UHF Antenna

www.ime.de

PANORAMA ANTENNAS

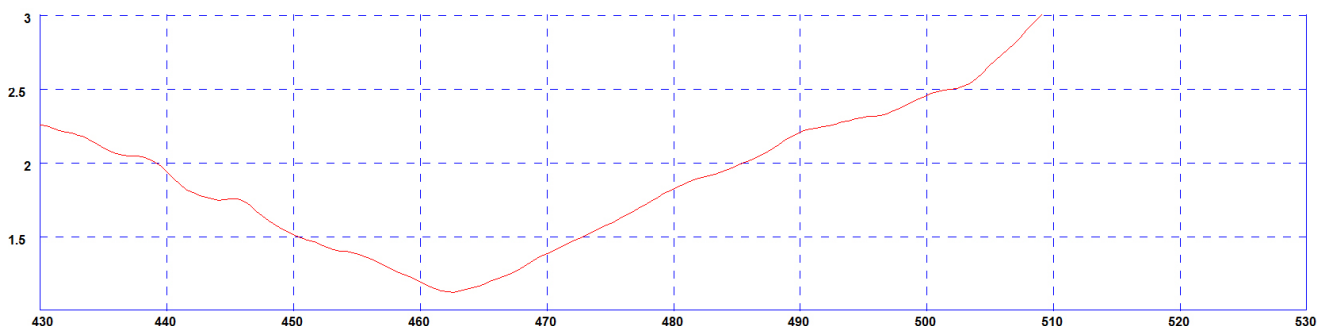
LPBU-[VAR]-NJ

Product Data

Part No.	LPBU-433-NJ	LPBU-460-NJ
Electrical Data		
Frequency Range (MHz)	420-455MHz	450-470MHz
Operational Bands	433 UHF	460 UHF
Peak Gain: Isotropic	0dBi	0dBi
Typical VSWR	≤ 2:1	≤ 2:1
Polarisation	Vertical	Vertical
Impedance	50Ω	50Ω
Max Input Power (W)	60	60
Mechanical Data		
Dimensions (mm)	Height	82 (3.22")
	Offset	60 (2.3")
Operating Temp	-30° / +80°C (-22° / 176°F)	-30° / +80°C (-22° / 176°F)
Material	A.S.A	A.S.A
Colour	Black	Black
Ingress Protection	Equivalent to IP65	Equivalent to IP65
Mounting Data		
Mounting type	Bracket mount	Bracket mount
Connector Data		
Type	N Jack	N Jack

Electrical Data

Typical VSWR for 460MHz Version*



* measured on SP5-0572 with 1m (3'3") CS29 extension cable.

Typical H Plane- 460MHz

