



XPOL-1-5G User Guide

South Africa

Unit 4, N1 Industrial Park
Landmarks Ave
Samrand, 0157,
South Africa
Tel: +27 12 657 0050
info@poynting.tech

Europe

Kronstadler Straße 4,
81677 München
Germany
Tel: +49 89 2080 265 38
Mob.: +49 176 529 733 50
sales-europe@poynting.tech

Index

1.	Packing Check List	4
2.	Tools Required	6
3.	Introduction	7
4.	Antenna Mounting Precautions	10
5.	Cable Routing	10
6.	Safety	12

1**Packing Check List**

Item	Description	Quantity
1.	A-XPOL-1-5G Antenna Only	1
2.	Pipe clamp	1
3.	Suckers	4
4.	Sucker mounting pins	4
5.	Wall knock-in screws	4
6.	SMA grip extender	2/4

The appearance of each component

Antenna Unit



Pipe Clamp



Suckers



Sucker mounting pins



Wall knock-in screws



SMA grip extender



2

Tools Required

Tools which may be required:

6mm Masonry drill bit



Impact drilling machine



Screw driver-Cross slot/Philips



Hammer

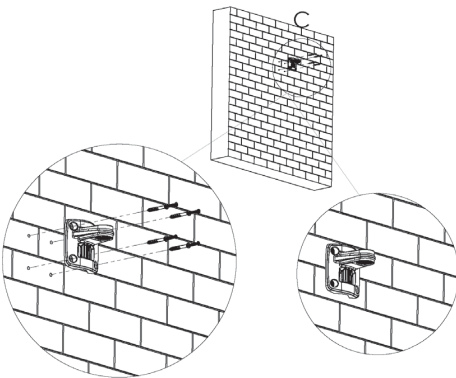
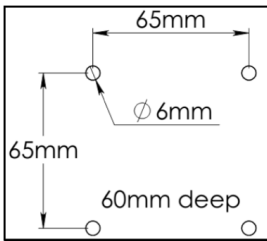


XPOL-1-5G is a unique window, wall or pole mountable, high gain, CPE antenna. It can be mounted outdoors on a pole of up to 50mm in diameter, against a window or against a wall. Follow the instructions below for installation.

Mounting Configurations:

1. Wall Mounting

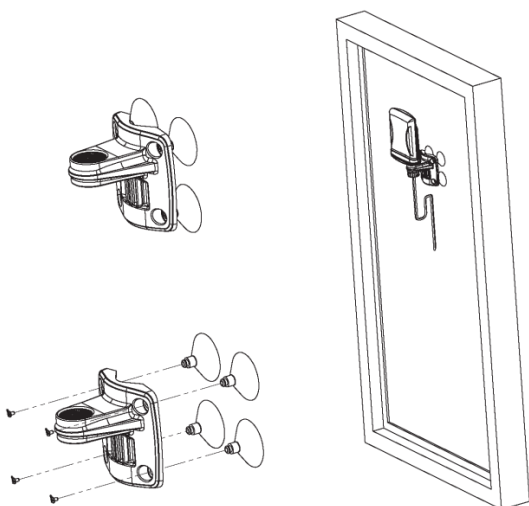
- Select a suitable place for mounting the antenna.
- Use a 6mm masonry drill bit to drill four holes into the wall. See the dimensions below.
- Place the bracket over the four holes and line up the holes in the bracket with the holes in the wall. Insert the four knock-in screws to mount the bracket to the wall.



3 Introduction

2. Window Mounting

- Select a suitable mounting place for mounting the antenna.
- Clean the selected area to remove the dirt.
- Place each of the four suckers through the holes in the bracket.
- Insert the sucker pins from the front of the bracket into the hole in the four suckers.
- Carefully press the antenna suckers against a window, taking caution not to damage or break the window.

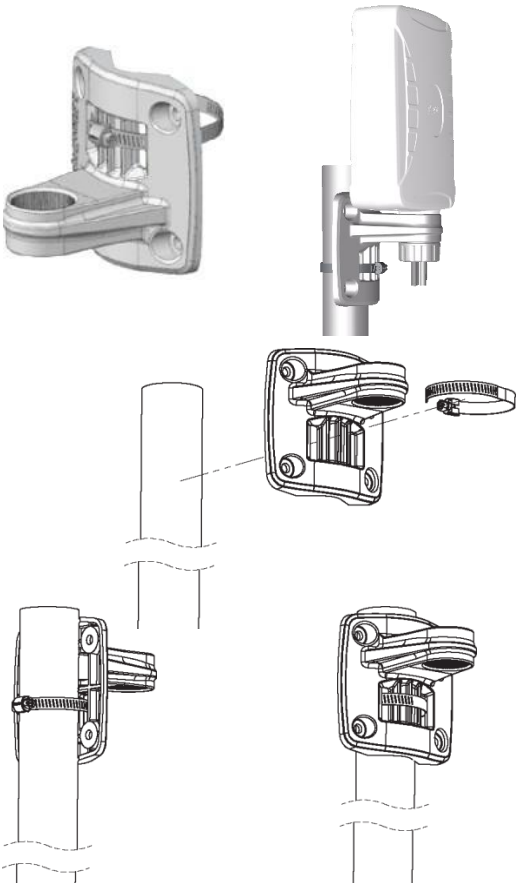


3

Introduction

3. Pole Mounting

- Lay the antenna out at the installation site and assemble the antenna on the ground.
- Place the pipe clamp through the bracket as shown below.
- Place the cable clamp around the pole and tighten the screw on the cable clamp until the bracket is secured to the pole.
- Mount the antenna so that there is at least 1 meter of clearance in all directions around it and unobstructed line of sight to the cell tower's strongest signal.



4 Antenna Mounting Precautions

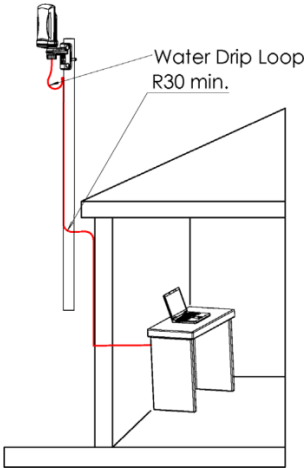
- Place the antenna at the highest point possible and ensure that there aren't any surrounding obstructions to the antenna.
- In order to avoid communication interference, ensure that the antenna is placed at least 0.5m away from other antennas and metal objects.
- Avoid installing the antenna near a chimney, as the smoke and soot emitted by the chimney can obstruct the signal level achieved by the antenna.
- Install the antenna away from heat sources and flammable gases.

5 Cable Routing

- If the antenna is mounted on a pole, avoid wrapping the cables around the pole. Route the antenna cables straight down the inside of the pole to avoid using extra equipment such as cable ties.
- Use the minimum cable length required. Do not run more cable than needed to ensure minimum cable losses are achieved.
- Never pull on the cable connectors; pull only on the cable ensuring the cable is not under tension.
- The allowable cable bend radius is 30mm.
- Cover connectors with insulation tape before threading them through a hole.

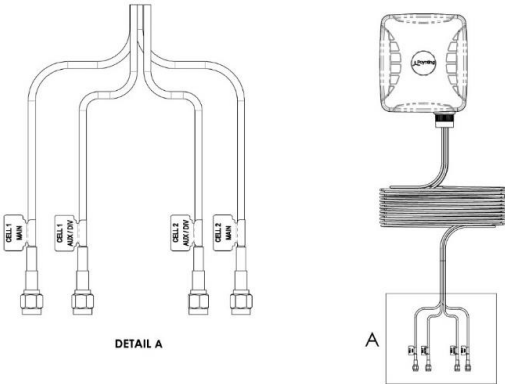
5

Cable Routing



6

4x4 Cable Connection



- Connect Cell 1 (Main) cable to the respective Cell 1 (Main) connector of the router. Similarly, connect Cell 2 (Main) cable to the respective Cell 2 (Main) connector of the router.
- Connect Cell 1 (Aux/Div) cable to the respective Cell 1 (Aux/Div) connector of the router. Similarly, Connect Cell 2 (Aux/Div) cable to the respective Cell

2(Aux/Div) connector of the router.

- In case of a 2-port LTE router, use one of the antenna diversity cable pairs. Use either Cell 1 (Main) & Cell 1 (Aux/Div) cables or Cell 2 (Main) & Cell 2 (Aux/Div) cables.
- In case of two routers that have two LTE ports each, you can split the antenna diversity cable pairs such that one router is connected to Cell 1 (Main) & Cell 1 (Aux/Div) cables and the other router is connected to Cell 2 (Main) & Cell 2 (Aux/Div) cables.

Note:

-Cell 1 Main and Cell 2 Main cables are connected to the horizontal elements.

-Cell 1 Aux/Div and Cell 2 Aux/Div cables are connected to the vertical elements.

7 Safety

- If you are installing an antenna for the first time or unsure about how to install your antenna, obtain the help of a professional installer.
- Carefully survey the installation site before installation to locate secure handholds, dangerous conditions (such as power lines and weak roofs) and the safest and most convenient placement for ladders if necessary.
- When installing your antenna, remember:
 1. Do not install near power lines as they can electrocute you.
 2. Do not install on a wet or windy day or when lightning or thunder is in the area.
 3. Wear shoes with rubber soles and heels and protective clothing (long sleeve shirt or jacket) and rubber gloves.
 4. Avoid operating while under the influence of drugs, alcohol or medication.

5. Make sure that any loose-fitting jewellery or clothing is secured and tie back long hair as they can get caught in moving parts during installation.
 6. If the antenna assemble starts to fall, get away from it and let it fall to avoid harm to yourself.
- When drilling, remember
 1. Use safety goggles when drilling the holes.
 2. Avoid using bits that are dull, bent or damaged.
 3. Be aware of where your fingers are in relation to the drill bit when using the drilling machine.
 4. To stop the drilling machine, let the drill chuck come to a complete stop on its own. Do not grasp the chuck in an attempt to stop the drill bit.
 5. Avoid awkward hand positions where a sudden slip could cause a hand to move into the drill bit or cutting tool.

CAUTION:

Antennas must be installed to provide a separation distance of at least 20cm from all persons so as to comply with SAR (Specific Absorption Rate) RF Exposure requirements.

European Waste Electronic Equipment Directive 2002/96/EC



Please ensure that old waste electricals and electronics are recycled.



Directive 2011/65/EU (RoHS 2)

This product is fully compliant with the RoHS 2 directive.