

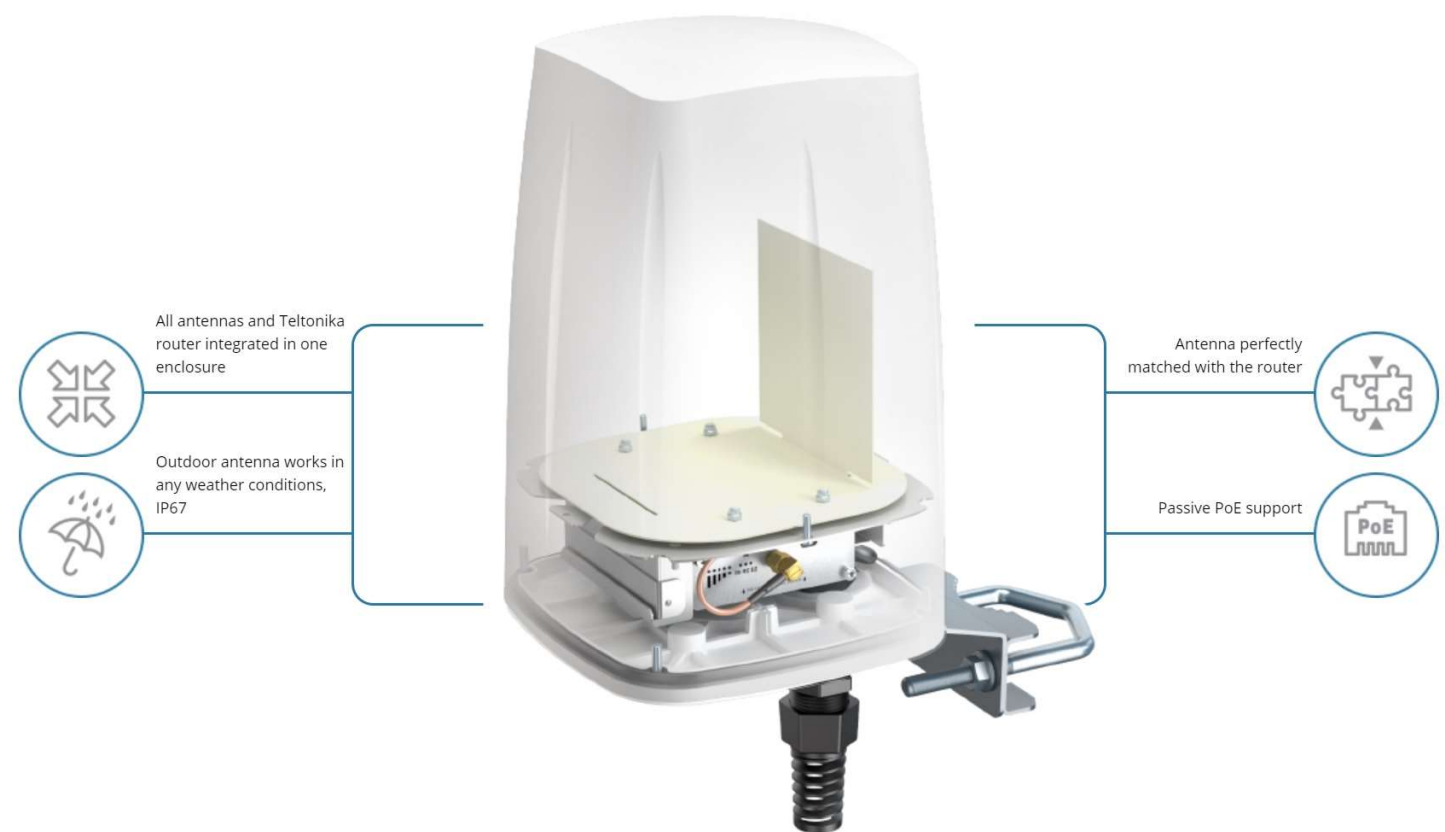
QuSpot for Teltonika TRB140 with housing

P/N:A140S-A

INTEGRATED MULTI-BAND LTE OMNI ANTENNAS + PLACE TO INSTALL TELTONIKA TRB140 (ALL-IN-ONE)

QuSpot omni LTE antenna for Teltonika TRB140 router is a perfect outdoor device for mobile and fixed installations like industrial, CCTV, hotspots, yachts, boats, campers, RV etc. If you use TRB140 with QuSpot antenna, you get an integrated complete solution with embedded router and multi band antennas in one enclosure.

* TRB140 support passive Power over Ethernet from revision 4 (now Teltonika deliver TRB140 revision 7 or newer). If You have older version of TRB140 please inform us before place the order because it is necessary to replace RJ-45 power adapter for other version.



VERSION 1.01

OUTDOOR

Use Teltonika router wherever you want

ANTENNA

Maximize your signal with QuWireless antennas

SOLUTION

Plug Teltonika router and you are good to go

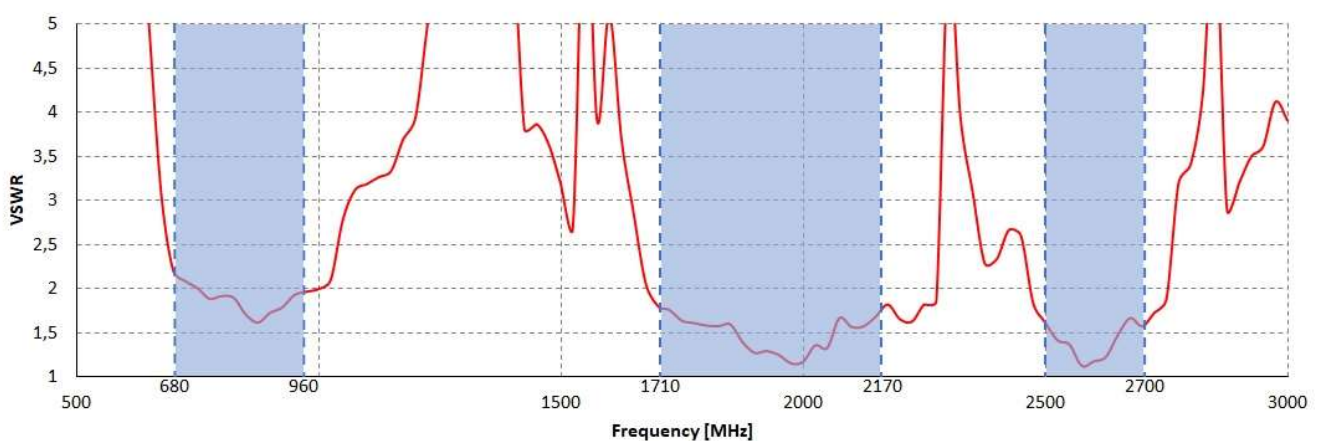
LTE SPECIFICATION

FREQUENCY	0.694-0.96 GHz 1.7 - 2.2 GHz 2.2 - 2.7 GHz
SUPPORTED LTE/5G BANDS	1, 2, 3, 4, 5, 6, 7, 8, 9, 10, 12, 13, 14, 17, 18, 19, 20, 23, 25, 26, 27, 28, 29, 30, 33, 34, 35, 36, 37, 38, 39, 40, 41, 44, 53, 59, 62, 65, 66, 67, 68, 69, 85, n80, n81, n82, n83, n84, n86, n89, n90, n95
GAIN	0.694 - 0.96 GHz : 2 dBi 1.7 - 2.2 GHz : 2 dBi 2.2 - 2.7 GHz : 4 dBi
VSWR	<1.60, max <2.00
BEAMWIDTH	360°/35° +/- 5°
POLARIZATION	Vertical
IMPEDANCE	50 Ω

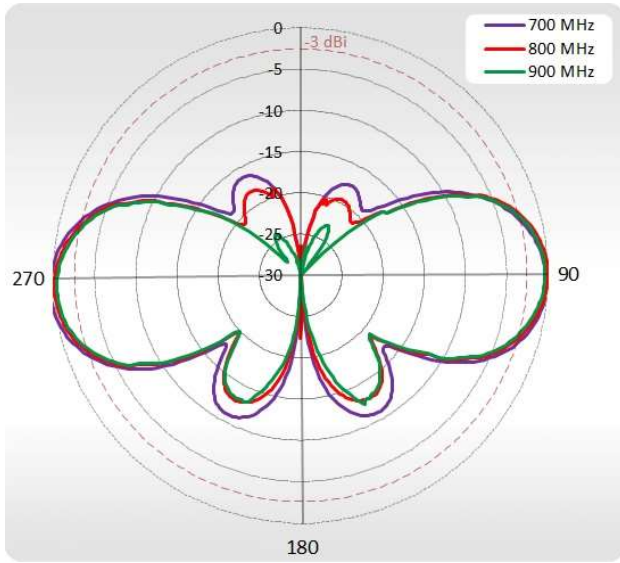
MECHANICAL SPECIFICATION

MATERIALS	ABS, aluminum, galvanized steel
INGRESS PROTECTION	IP67
CONNECTOR TYPE	RJ45
DIMENSIONS	160 x 160 x 240 mm 6.3 x 6.3 x 9.45 inch
WEIGHT	1.5 kg 3.31 lbs
OPERATING TEMPERATURE	From -40°C to 75°C From -40°F to 167°F

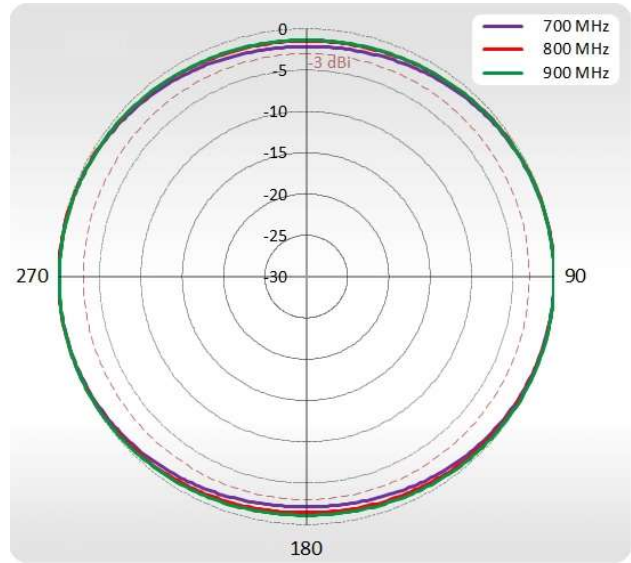
VSWR



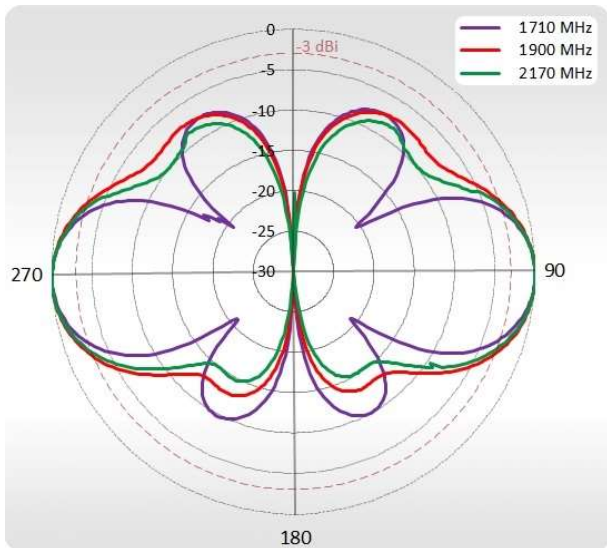
700-900 MHz Azimuth



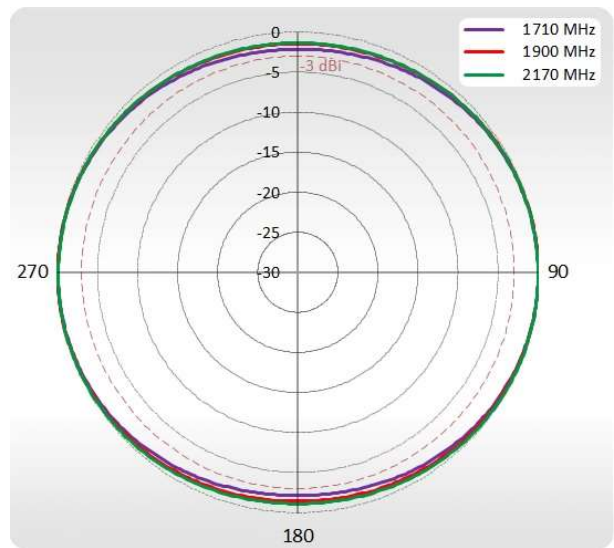
700-900 MHz Elevation



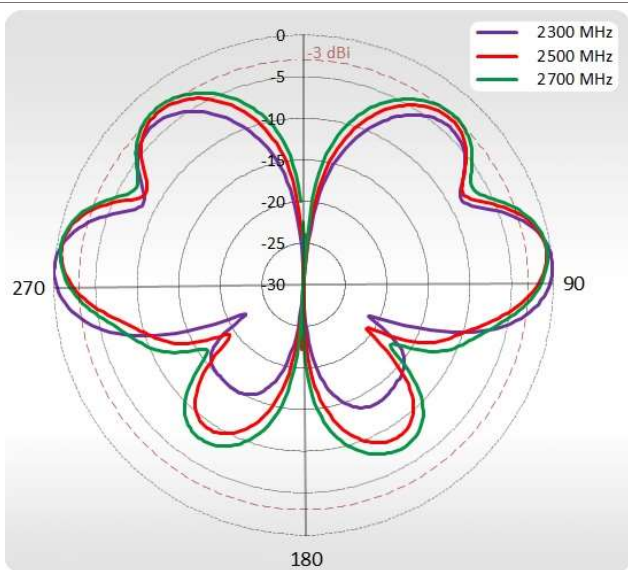
1710-2170 MHz Azimuth



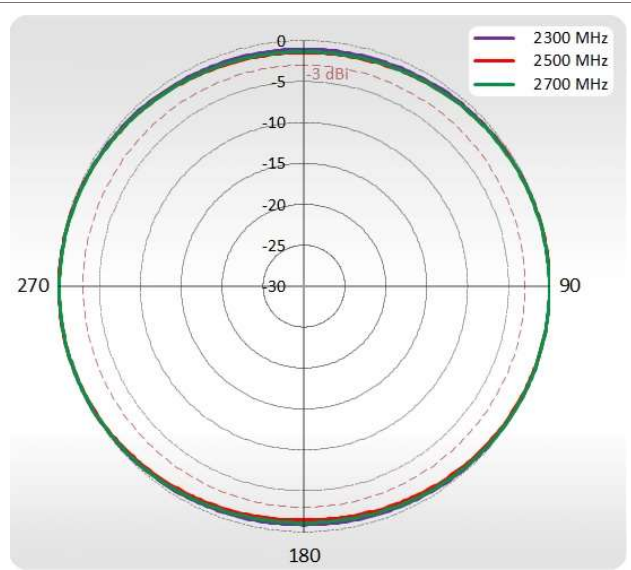
1710-2170 MHz Elevation



2300-2700 MHz Azimuth



2300-2700 MHz Elevation

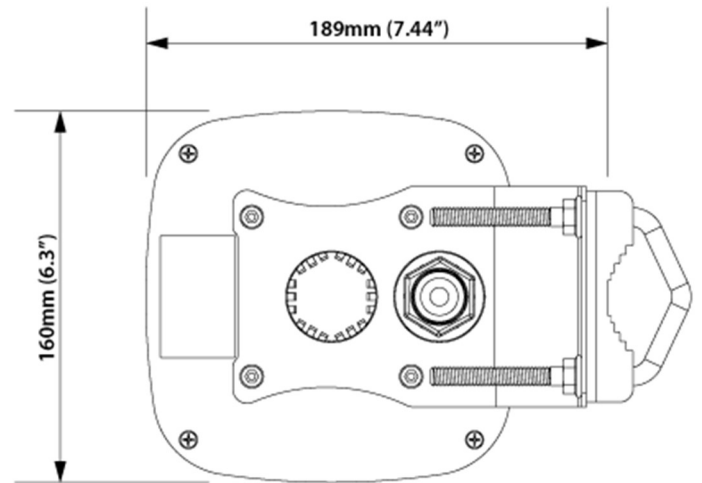
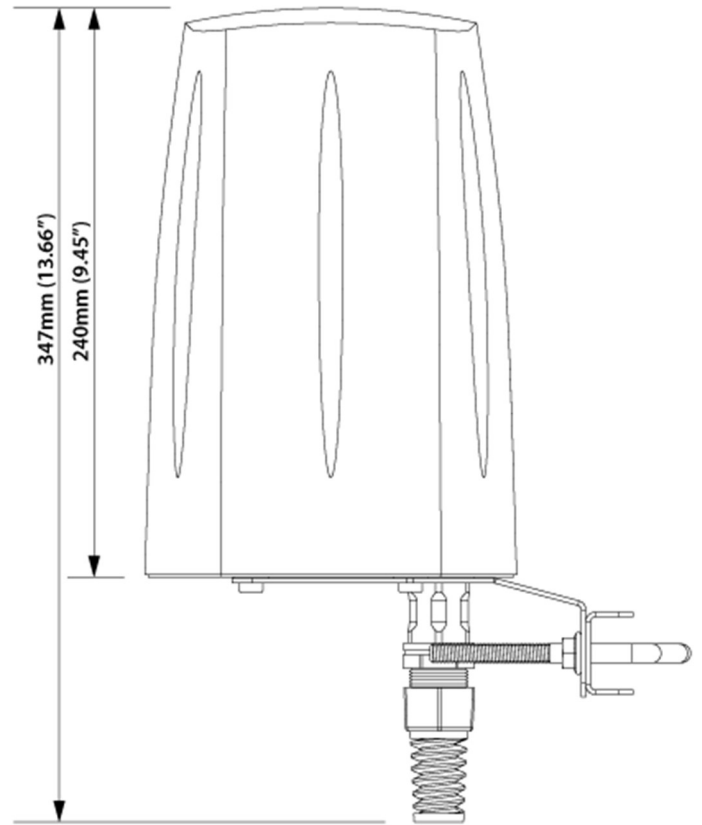




Small and quick to deploy industrial Ethernet to 4G LTE IoT gateway. Advanced VPN functionality, security and remote management capabilities makes TRB140 the best option for single device connectivity.

[TRB140 Datasheet](#)

[TRB140 Quick Start Guide](#)



HEADQUARTER:

Wireless Instruments sp. z o.o.
ul. Kościuszki 27
52-116 Iwiny
POLAND
sales@quwireless.com
tel 1. +48 601 366 369
tel 2. +48 577 667 761
www.quwireless.com