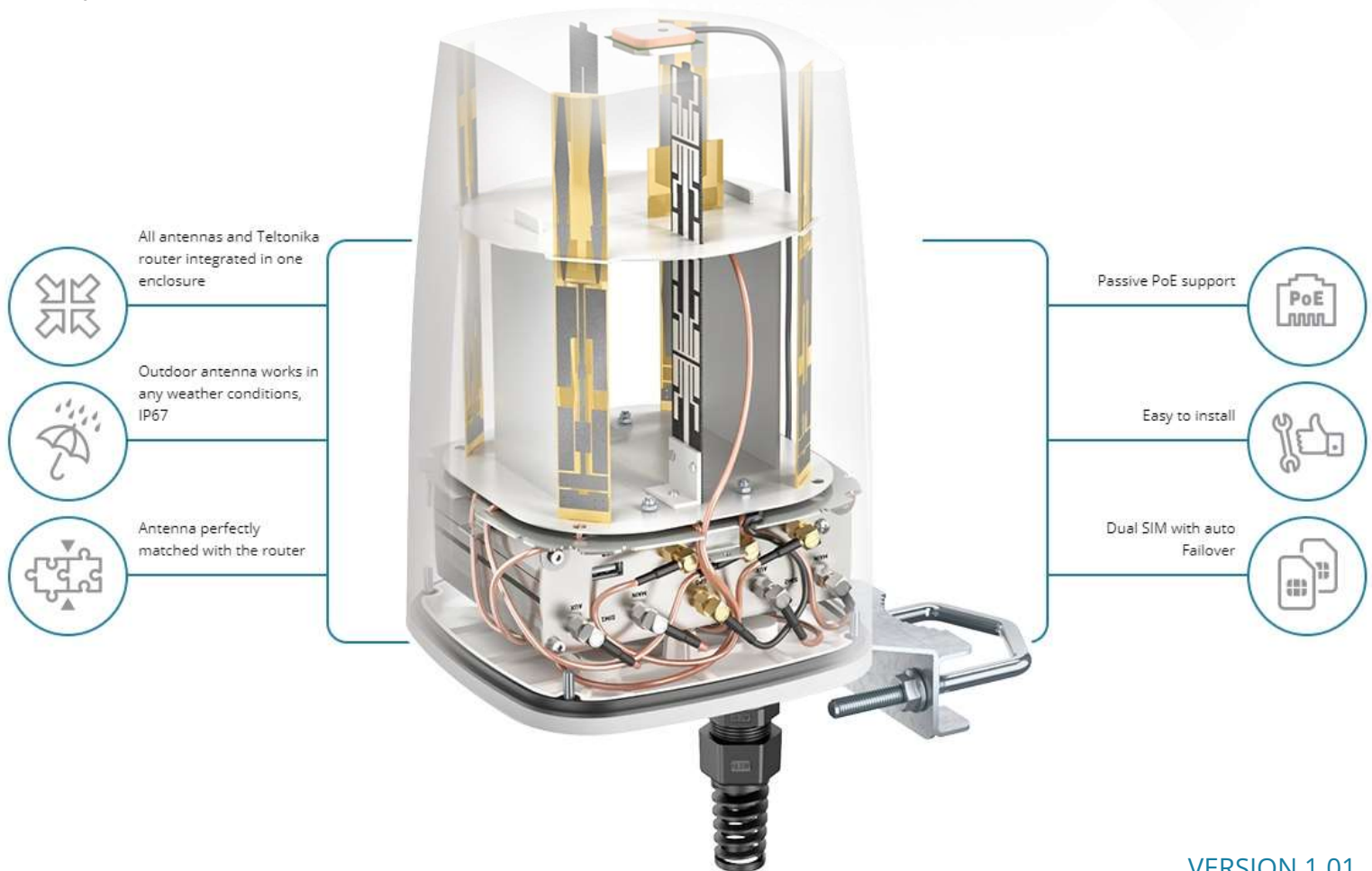


QuSpot for RUTX12 / RUTX14

P/N: AX12S

Integrated 2x multi-band LTE omni antenna + WiFi omni antenna + GPS antenna + Bluetooth antenna + place to install Teltonika RUTX12 / RUTX14 (All-in-one)

QuSpot dual omni LTE antenna (4x SMA connector for 2x embedded LTE modems) for Teltonika RUTX12 & RUTX14 router is a perfect outdoor device for mobile and fixed installations like industrial, CCTV, hotspots, yachts, boats, campers, RV etc. It also has embedded Wi-Fi dualband 2.4 & 5 GHz omni antenna, GPS antenna and Bluetooth antenna. If you use RUTX12 / RUTX14 with QuSpot antenna, you get an integrated complete solution with embedded router and multi band antennas in one enclosure.



VERSION 1.01

OUTDOOR

Use Teltonika router wherever you want

ANTENNA

Maximize your signal with QuWireless antennas

SOLUTION

Plug Teltonika router and you are good to go

LTE SPECIFICATION

FREQUENCY	0.694-0.96 GHz 1.7 - 2.2 GHz 2.2 - 2.7 GHz
SUPPORTED LTE/5G BANDS	1, 2, 3, 4, 5, 6, 7, 8, 9, 10, 12, 13, 14, 17, 18, 19, 20, 23, 25, 26, 27, 28, 29, 30, 33, 34, 35, 36, 37, 38, 39, 40, 41, 44, 53, 59, 62, 65, 66, 67, 68, 69, 85, n80, n81, n82, n83, n84, n86, n89, n90, n95
GAIN	0.694 - 0.96 GHz : 2 dBi 1.7 - 2.2 GHz : 2 dBi 2.2 - 2.7 GHz : 3 dBi
VSWR	<1.50, max <2.50
BEAMWIDTH	360°/25° +/- 5°
POLARIZATION	Vertical
IMPEDANCE	50 Ω

WI-FI SPECIFICATION

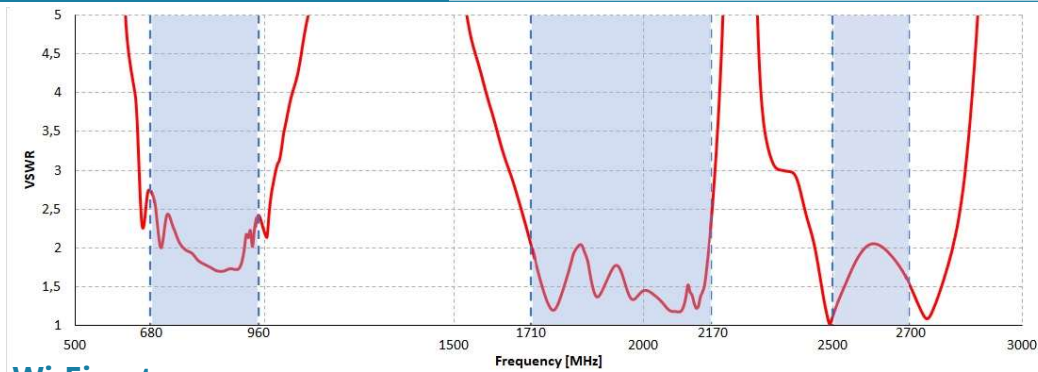
FREQUENCY	2.40-2.50 GHz 4.70 - 6.00 GHz
GAIN	2.40 - 2.50 GHz : 6 dBi 4.70 - 6.00 GHz : 7 dBi
VSWR	<1.70, max <2.00
BEAMWIDTH	360°/25° +/- 5°
POLARIZATION	Vertical
IMPEDANCE	50 Ω

BLUETOOTH SPECIFICATION

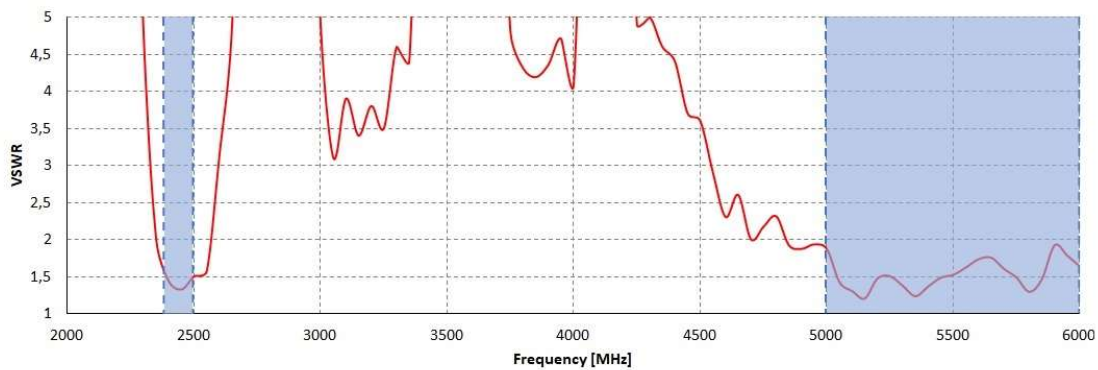
FREQUENCY	2.40-2.50 GHz
GAIN	2 dBi
VSWR	<1.70, max <2.00
BEAMWIDTH	360°/25° +/- 5°
POLARIZATION	Vertical
IMPEDANCE	50 Ω

MATERIALS	ABS, aluminum, PTFE, FR4
INGRESS PROTECTION	IP67
CONNECTOR TYPE	RJ45
DIMENSIONS	160 x 160 x 240 mm 6.3 x 6.3 x 9.45 inch
WEIGHT	1.5 kg 3.31 lbs
OPERATING TEMPERATURE	From -40°C to 75°C From -40°F to 167°F

VSWR for LTE antenna

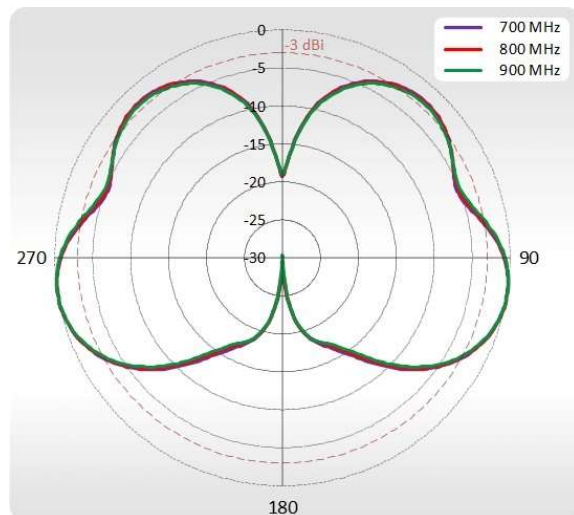


VSWR for Wi-Fi antenna

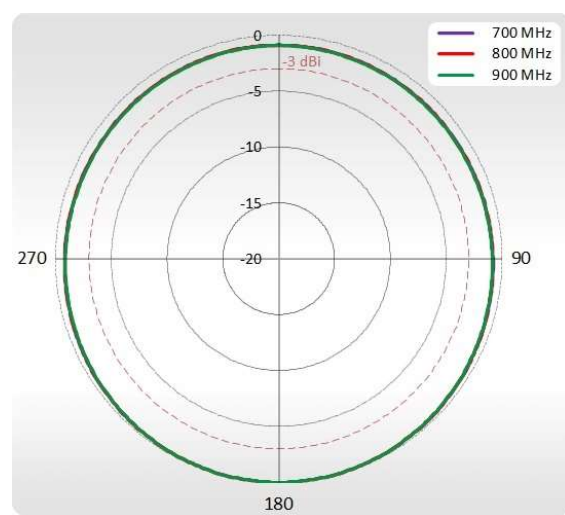


PLOTS

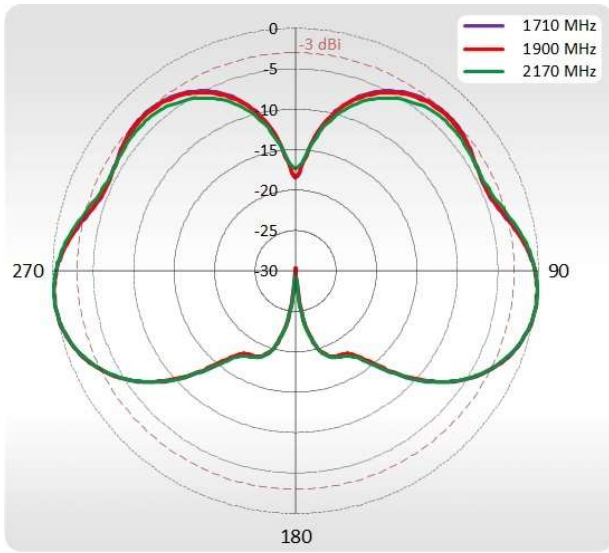
700-900 MHz Azimuth



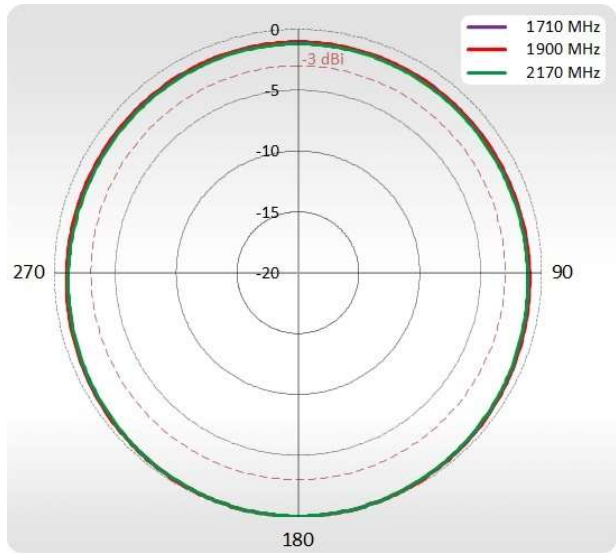
700-900 MHz Elevation



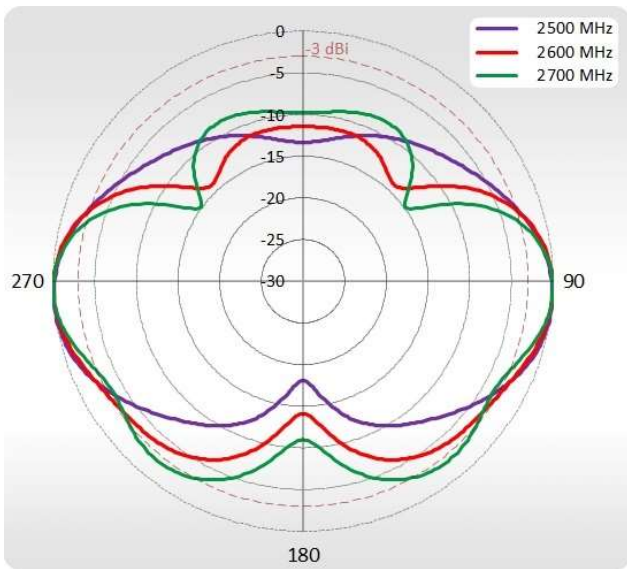
1710-2170 MHz Azimuth



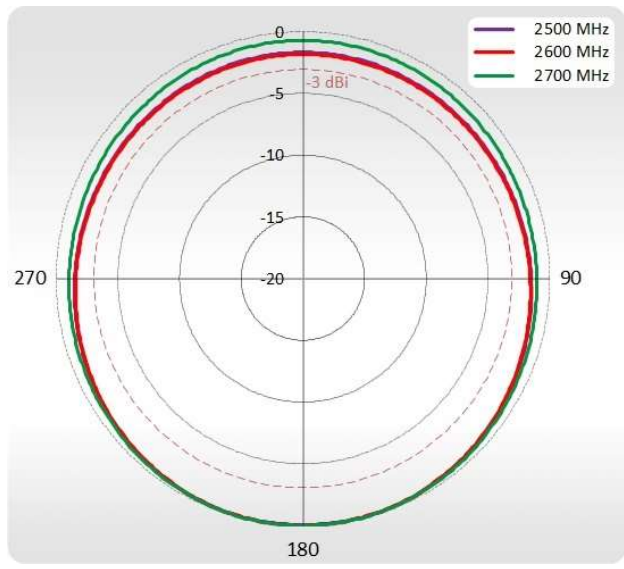
1710-2170 MHz Elevation



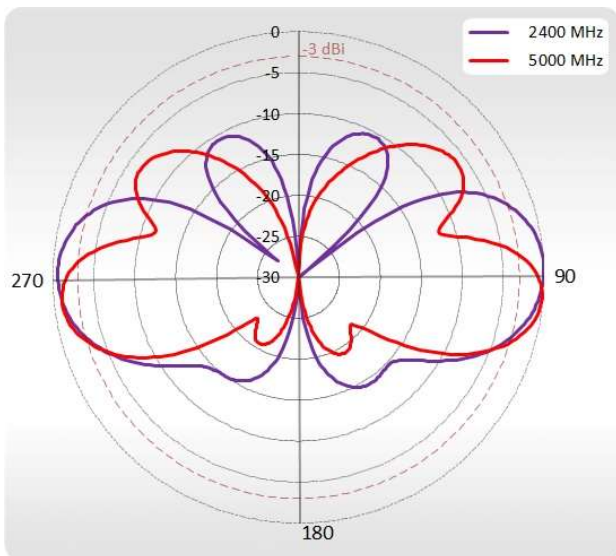
2300-2700 MHz Azimuth



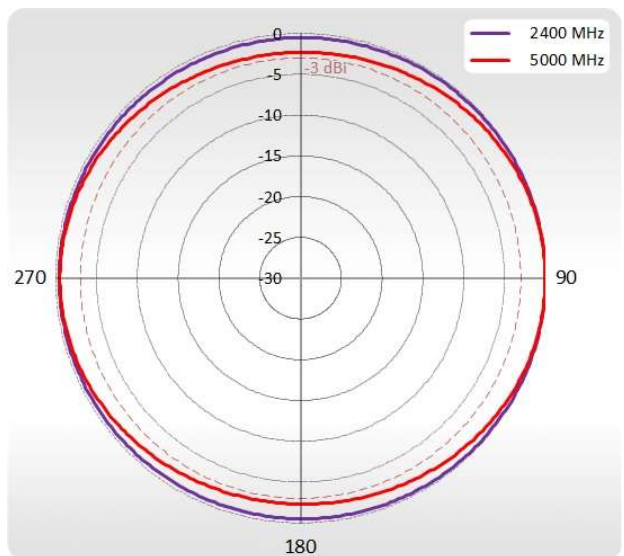
2300-2700 MHz Elevation



Wi-Fi Azimuth



Wi-Fi Elevation



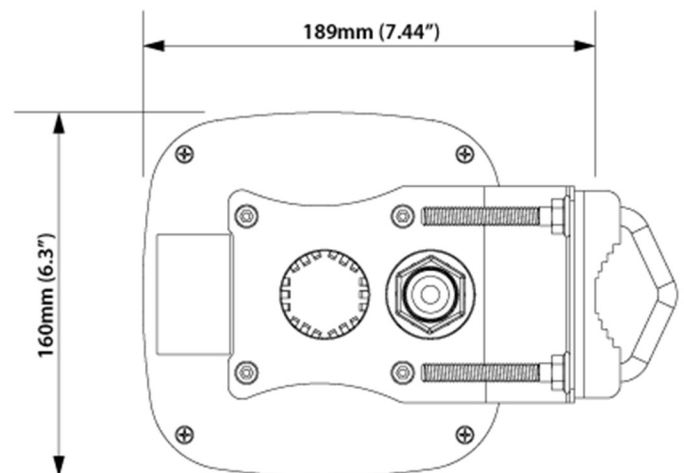
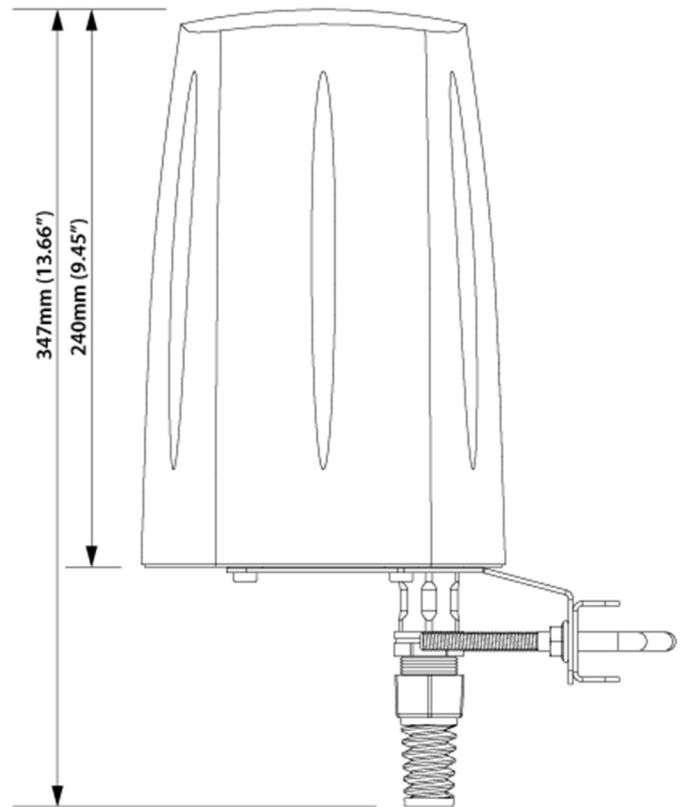


- // RUTX12 is the most powerful Dual LTE Cat 6 router in Teltonika's portfolio.
- // Two simultaneously operational LTE Cat 6 modems provide speeds up to 600 Mbps with load balancing feature.
- // The bonding functionality effectively combines multiple internet sources into one for a seamless data transfer.
- // 5 x Gigabit Ethernet ports, Wave-2 802.11ac Dual-Band Wi-Fi, Bluetooth LE, and USB interfaces and dual SIM make this device irreplaceable in applications where losing connection is not an option.
- // Packed with advanced security features like VPN, IPsec, PPTP, L2TP Stunnel and GNSS tracking.

[RUTX12 Datasheet](#)

[RUTX12 User Manual](#)

[RUTX12 Quick Start Guide](#)



HEADQUARTER:

Wireless Instruments sp. z o.o.

ul. Kościuszki 27

52-116 Iwiny

POLAND

sales@quwireless.com

tel 1. +48 601 366 369

tel 2. +48 577 667 761