

QuMax for Teltonika TRB140 with housing

P/N:A140M-A

INTEGRATED OUTDOOR MULTI BAND HIGH POWER LTE DIRECTIONAL ANTENNA + PLACE TO INSTALL TELTONIKA TRB140 (ALL-IN-ONE)

QuMax offers the most powerful directional LTE antenna of all QuWireless antennas. It is dedicated to connections with long distance to base station. It is designed to have Teltonika TRB140 router installed inside IP67 enclosure. It is the first choice for fixed installations in industrial environment.

* TRB140 support passive Power over Ethernet from revision 4 (now Teltonika deliver TRB140 revision 7 or newer). If You have older version of TRB140 please inform us before place the order because it is necessary to replace RJ-45 power adapter for other version.



OUTDOOR

Use Teltonika router wherever you want

ANTENNA

Maximize your signal with QuWireless antennas

SOLUTION

Plug Teltonika router and you are good to go

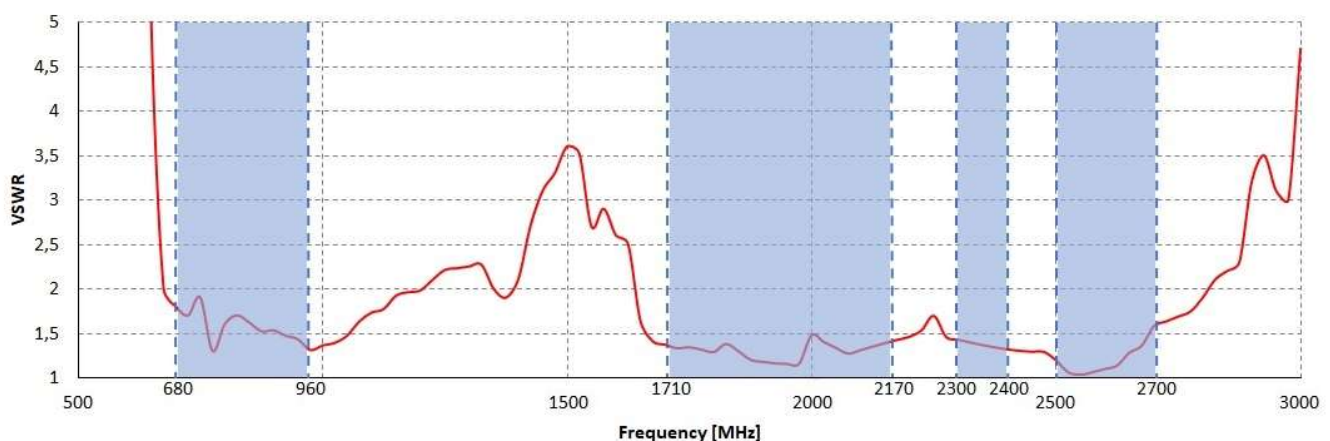
LTE SPECIFICATION

FREQUENCY	0.694-0.96 GHz 1.7 - 2.2 GHz 2.2 - 2.7 GHz
SUPPORTED LTE/5G BANDS	1, 2, 3, 4, 5, 6, 7, 8, 9, 10, 12, 13, 14, 17, 18, 19, 20, 23, 25, 26, 27, 28, 29, 30, 33, 34, 35, 36, 37, 38, 39, 40, 41, 44, 53, 59, 62, 65, 66, 67, 68, 69, 85, n80, n81, n82, n83, n84, n86, n89, n90, n95
GAIN	0.694 - 0.96 GHz : 4 dBi 1.7 - 2.2 GHz : 5 dBi 2.2 - 2.7 GHz : 6 dBi
VSWR	<1.30, max <1.60
BEAMWIDTH	90°/90° +/- 30°
POLARIZATION	Vertical
IMPEDANCE	50 Ω

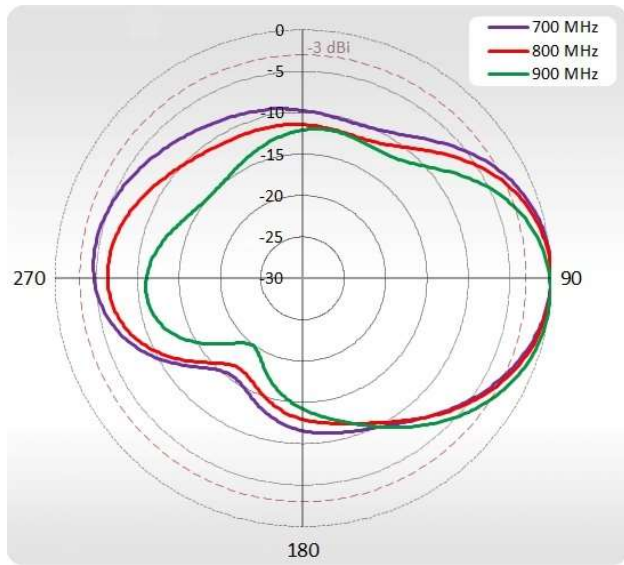
MECHANICAL SPECIFICATION

MATERIALS	ABS, aluminum, FR4, Fiberglass
INGRESS PROTECTION	IP67
CONNECTOR TYPE	RJ45
DIMENSIONS	272 x 276 x 96 mm 10.71 x 10.87 x 3.78 inch
WEIGHT	1.8 kg 3.97 lbs
OPERATING TEMPERATURE	From -40°C to 75°C From -40°F to 167°F

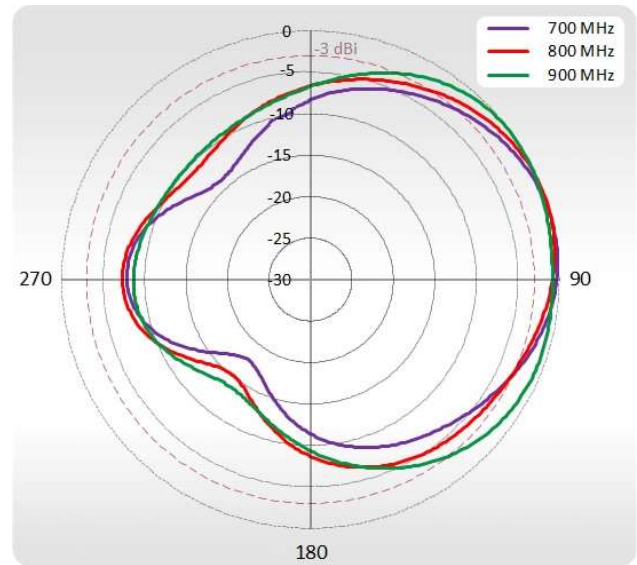
VSWR



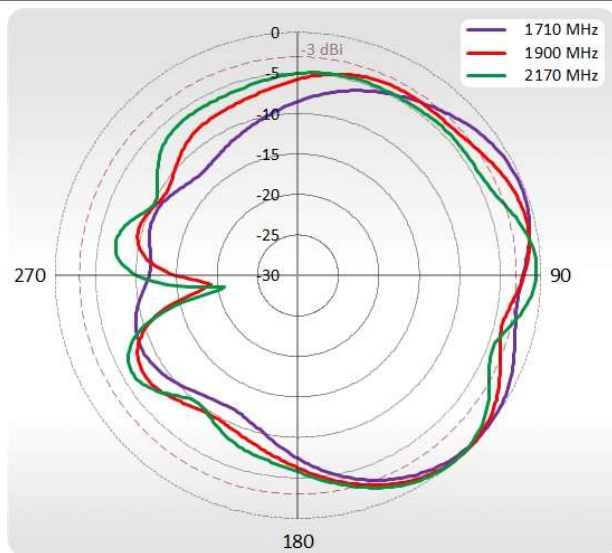
700-900 MHz Azimuth



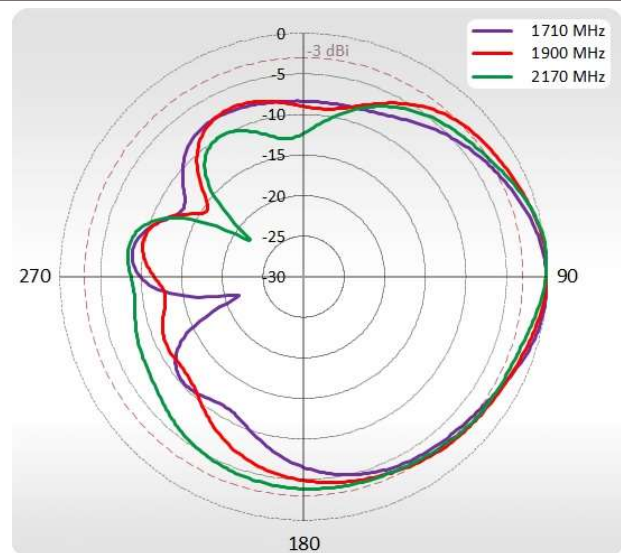
700-900 MHz Elevation



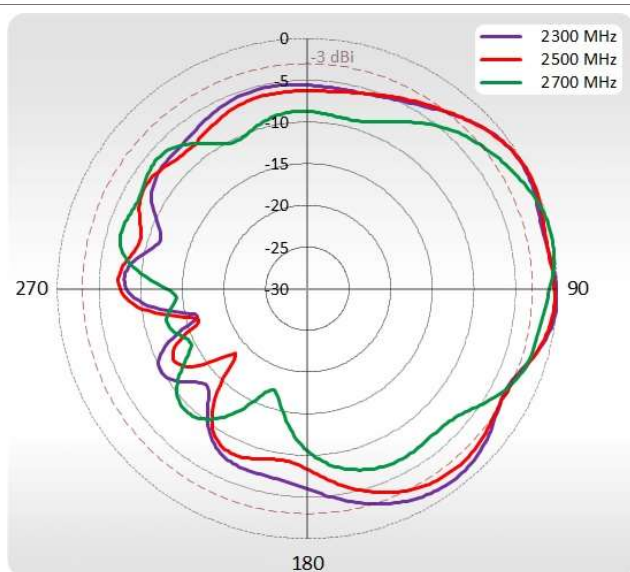
1710-2170 MHz Azimuth



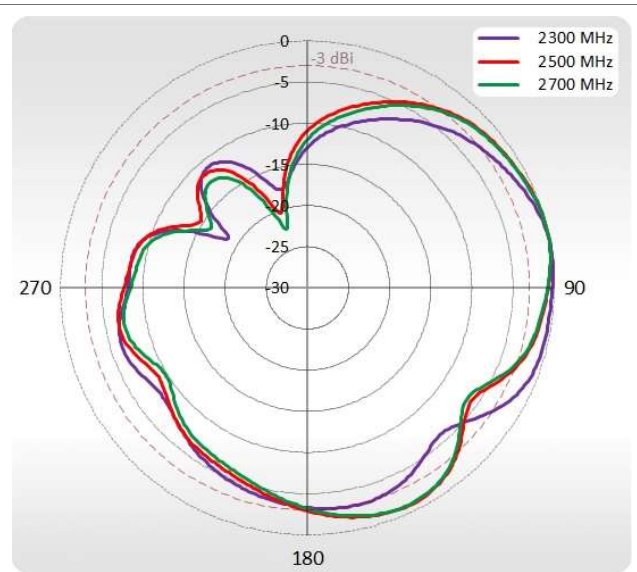
1710-2170 MHz Elevation



2300-2700 MHz Azimuth



2300-2700 MHz Elevation

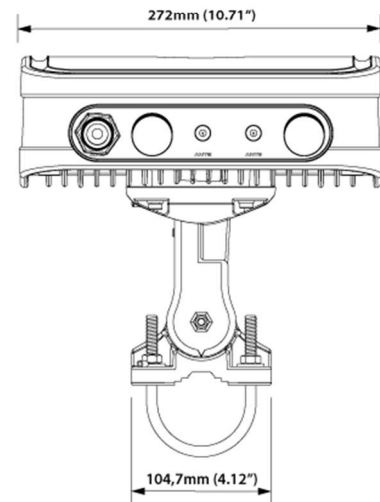
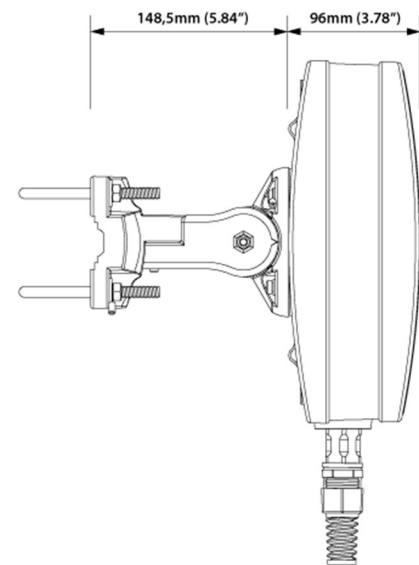
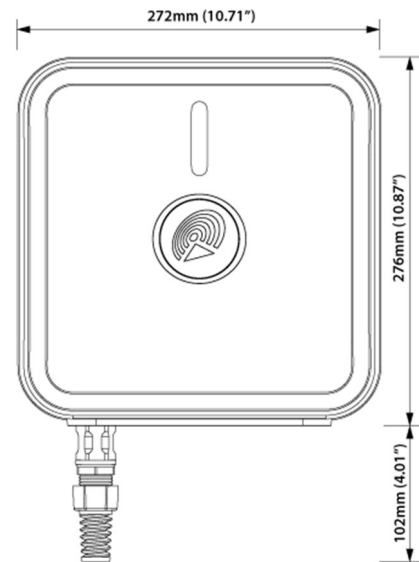




Small and quick to deploy industrial Ethernet to 4G LTE IoT gateway. Advanced VPN functionality, security and remote management capabilities makes TRB140 the best option for single device connectivity.

[TRB140 Datasheet](#)

[TRB140 Quick Start Guide](#)



HEADQUARTER:

Wireless Instruments sp. z o.o.
 ul. Kościuszki 27
 52-116 Iwiny
 POLAND
sales@quwireless.com
 tel 1. +48 601 366 369
 tel 2. +48 577 667 761
www.quwireless.com