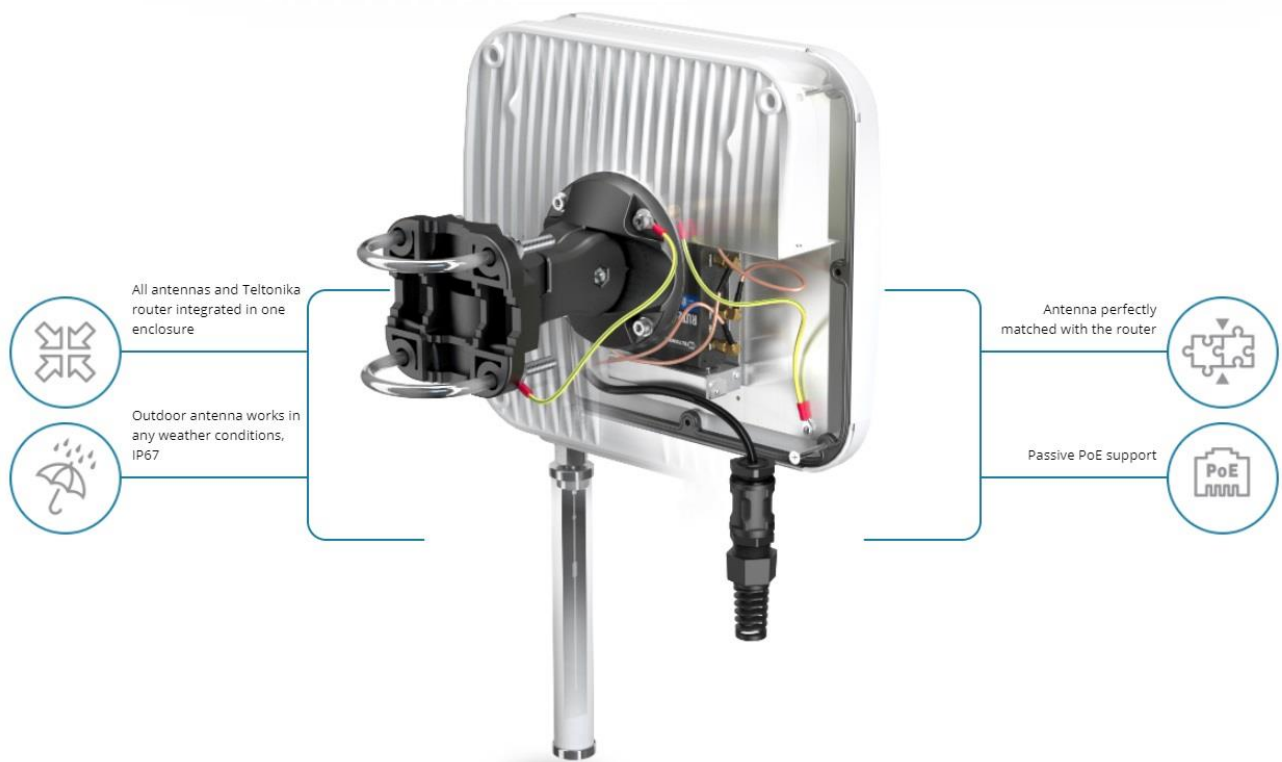


QuMax for RUT240/230

INTEGRATED OUTDOOR MULTI BAND HIGH POWER LTE DIRECTIONAL ANTENNA + OUTDOOR WI-FI OMNI ANTENNA + PLACE TO INSTALL TELTONIKA RUT240 OR 230 (ALL-IN-ONE)

QuMAX offers the most powerful directional LTE antenna of all QuWireless antennas. It is dedicated to connections with long distance to base station. It is designed to have Teltonika RUT240 or RUT230 router installed inside IP67 enclosure. It is the first choice for fixed installations in industrial environment. It has embedded also outdoor Wi-Fi omni antennas.

NOTE: For RUT230 one LTE antenna is unplugged.



OUTDOOR

Use Teltonika router wherever you want

ANTENNA

Maximize your signal with QuWireless antennas

SOLUTION

Plug Teltonika router and you are good to go

LTE SPECIFICATION

| | |
|--------------|--|
| FREQUENCY | 0.694-0.96 GHz 1.7 - 2.2 GHz 2.2 - 2.7 GHz |
| GAIN | 4 dBi 5 dBi 6 dBi |
| VSWR | <1.50, max <2.00 <1.30, max <1.60 <1.30, max <1.60 |
| BEAMWIDTH | 90°/90° +/- 30° 90°/90° +/- 30° 90°/90° +/- 30° |
| POLARIZATION | Vertical |
| IMPEDANCE | 50 Ω |

WI-FI SPECIFICATION

| | |
|--------------|--------------------------------------|
| FREQUENCY | 2.40-2.50 GHz 4.70 - 6.00 GHz |
| GAIN | 6 dBi 7 dBi |
| VSWR | <1.70, max <2.00 <1.70, max <2.00 |
| BEAMWIDTH | 360°/25° +/- 5° 360°/25° +/- 5° |
| POLARIZATION | Vertical |
| IMPEDANCE | 50 Ω |

MECHANICAL SPECIFICATION

| | |
|-----------------------|--|
| MATERIALS | ABS, aluminum, PTFE, Fiberglass |
| INGRESS PROTECTION | IP67 |
| DIMENSIONS | 272 x 276 x 96 mm 10.71 x 10.87 x 3.78 inch |
| WEIGHT | 1.8 kg 3.97 lbs |
| OPERATING TEMPERATURE | From -40°C to 75°C From -40°F to 167°F |

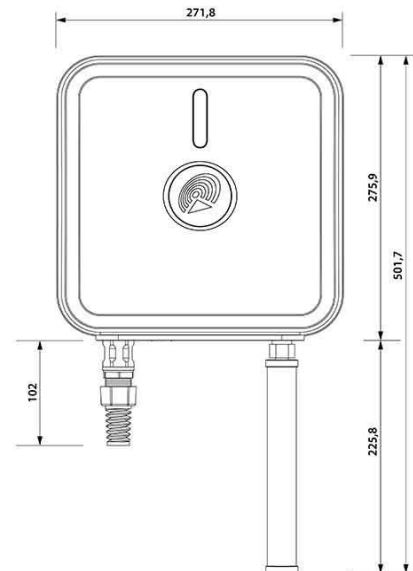


Small and reliable cellular router with 3G & WiFi. Equipped with Ethernet and I/O. RUT230 is perfect for challenging applications within energy, industry, smart city and IoT sectors.

[RUT230 Datasheet](#)

[RUT230 User Manual](#)

[RUT230 Quick Start Guide](#)

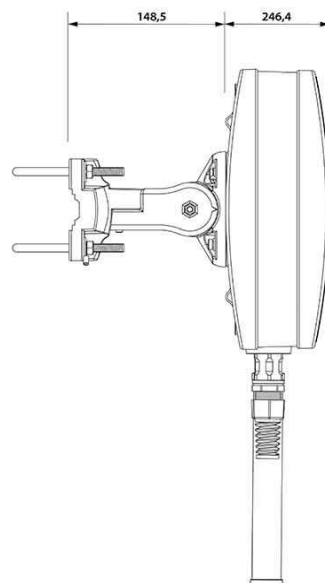
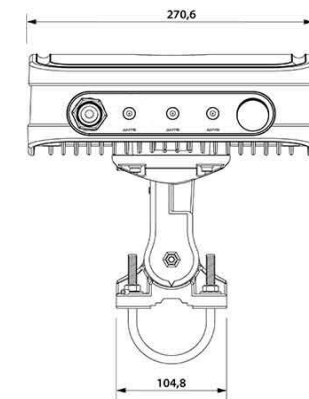


Compact but powerful 4G LTE & WiFi cellular router with Ethernet and I/O. Great for quick deployment in mission critical IoT applications where advanced Networking, VPN and security features are needed.

[RUT240 Datasheet](#)

[RUT240 User Manual](#)

[RUT240 Quick Start Guide](#)



HEADQUARTER:

Wireless Instruments sp. z o.o.

ul. Kościuszki 27

52-116 Iwiny

POLAND

sales@quwireless.com

tel 1. +48 601 366 369

tel 2. +48 577 667 761

www.quwireless.com