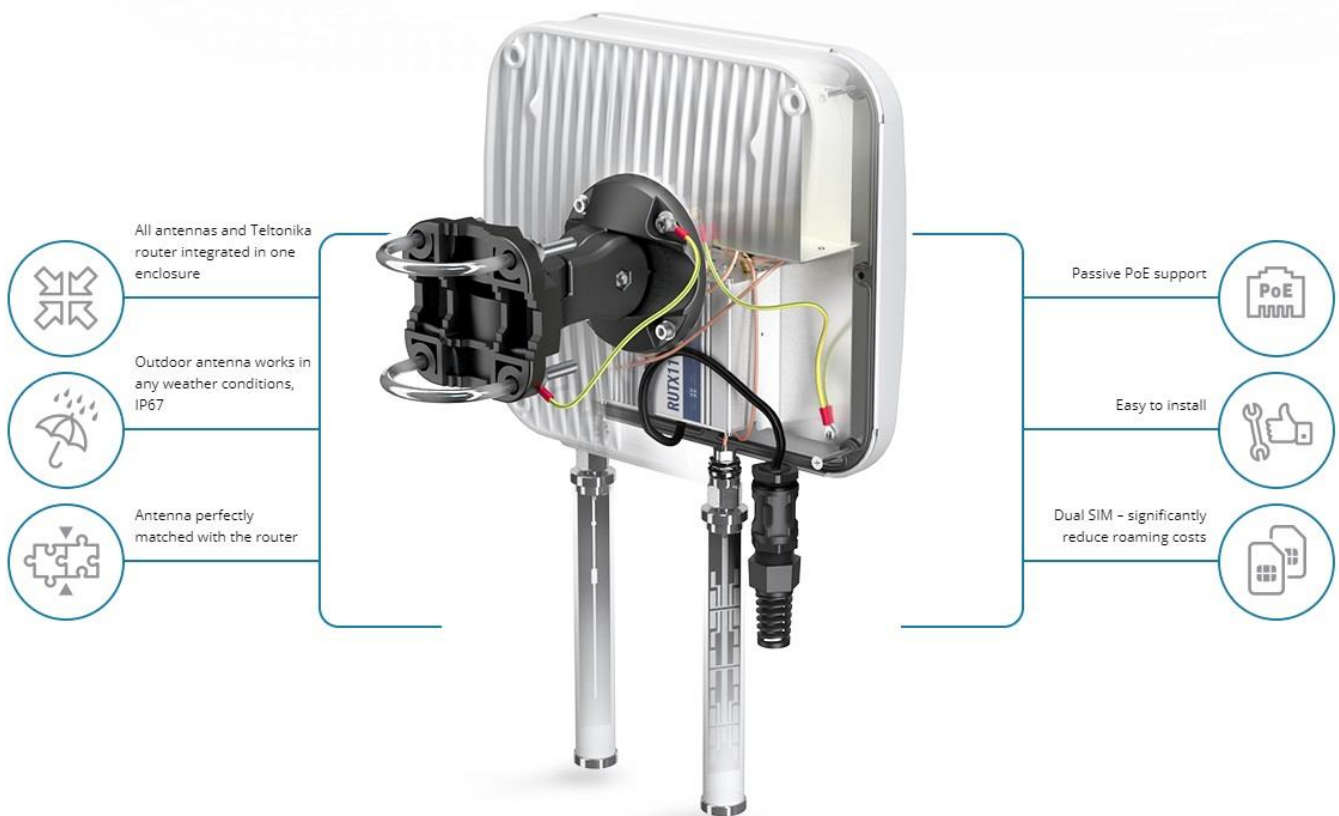


# QuMax for RUTX11

**INTEGRATED OUTDOOR LTE HIGH POWER DIRECTIONAL ANTENNA + OUTDOOR WI-FI DUAL BAND 2.4 & 5 GHZ OMNI ANTENNA + BLUETOOTH ANTENNA + GPS ANTENNA + PLACE TO INSTALL TELTONIKA RUTX11 (ALL-IN-ONE)**

QuMAX offers the most powerful directional LTE antenna of all QuWireless antennas. It is dedicated to connections with long distance to base station. It is designed to have Teltonika RUTx11 router installed inside IP67 enclosure. It is the first choice for fixed installations in industrial environment. It has embedded also GPS antenna, Bluetooth antenna and outdoor Wi-Fi dual band 2.4 & 5 GHz omni antennas.



## OUTDOOR

Use Teltonika router wherever you want

## ANTENNA

Maximize your signal with QuWireless antennas

## SOLUTION

Plug Teltonika router and you are good to go

## LTE SPECIFICATION

FREQUENCY	0.694-0.96 GHz 1.7 - 2.2 GHz 2.2 - 2.7 GHz
GAIN	4 dBi 5 dBi 6 dBi
VSWR	<1.50, max <2.00 <1.30, max <1.60 <1.30, max <1.60
BEAMWIDTH	90°/90° +/- 30° 90°/90° +/- 30° 90°/90° +/- 30°
POLARIZATION	Vertical
IMPEDANCE	50 Ω

## WI-FI SPECIFICATION

FREQUENCY	2.40-2.50 GHz 4.70 - 6.00 GHz
GAIN	6 dBi 7 dBi
VSWR	<1.70, max <2.00 <1.70, max <2.00
BEAMWIDTH	360°/25° +/- 5° 360°/25° +/- 5°
POLARIZATION	Vertical
IMPEDANCE	50 Ω

## MECHANICAL SPECIFICATION

MATERIALS	ABS, aluminum, PTFE, Fiberglass
INGRESS PROTECTION	IP67
DIMENSIONS	272 x 276 x 96 mm 10.71 x 10.87 x 3.78 inch
WEIGHT	1.8 kg 3.97 lbs
OPERATING TEMPERATURE	From -40°C to 75°C From -40°F to 167°F



Most powerful and feature rich device within Teltonika Networking products range. Equipped with Dual-SIM, 4 x Gigabit Ethernet ports, Dual-Band AC WiFi, Bluetooth LE and USB interfaces. RUTX11 comes with all RutOS software and security features. This device is perfect for advanced Industrial and Enterprise applications.

---

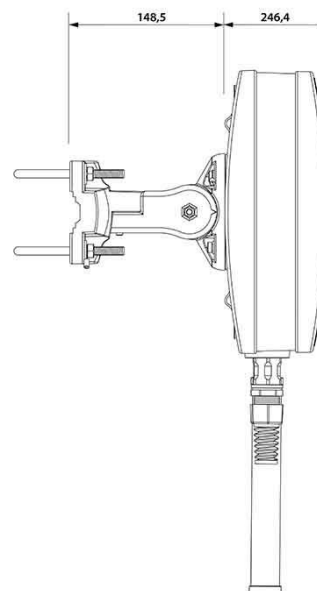
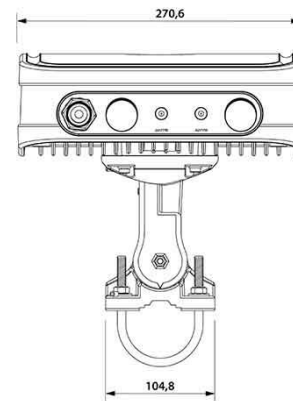
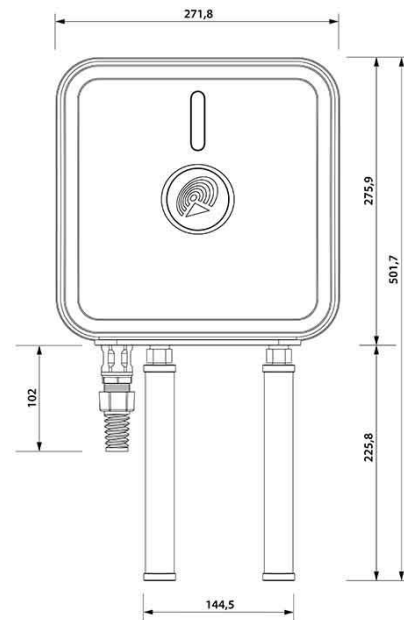
[RUTX11 Datasheet](#)

---

[RUTX11 User Manual](#)

---

[RUTX11 Quick Start Guide](#)



#### HEADQUARTER:

Wireless Instruments sp. z o.o.

ul. Kościuszki 27

52-116 Iwiny

POLAND

[sales@quwireless.com](mailto:sales@quwireless.com)

tel 1. +48 601 366 369

tel 2. +48 577 667 761

[www.quwireless.com](http://www.quwireless.com)