

QuMax for RUTX12 / RUTX14

P/N: AX12M

INTEGRATED OUTDOOR LTE HIGH POWER DIRECTIONAL ANTENNA + OUTDOOR WI-FI DUAL BAND 2.4 & 5 GHZ OMNI ANTENNA + BLUETOOTH ANTENNA + GPS ANTENNA + PLACE TO INSTALL TELTONIKA RUTX12 / RUTX14 (ALL-IN-ONE)

QuMax offers the most powerful directional LTE antenna of all QuWireless antennas. It is dedicated to connections with long distance to base station. It is designed to have Teltonika RUTX12 / RUTX14 router installed inside IP67 enclosure. It is the first choice for fixed installations in industrial environment. It has embedded also GPS antenna, Bluetooth antenna and outdoor Wi-Fi dual band 2.4 & 5 GHz omni antennas.



VERSION 1.01

OUTDOOR

Use Teltonika router wherever you want

ANTENNA

Maximize your signal with QuWireless antennas

SOLUTION

Plug Teltonika router and you are good to go

LTE SPECIFICATION

FREQUENCY	0.694-0.96 GHz 1.7 - 2.2 GHz 2.2 - 2.7 GHz
SUPPORTED LTE/5G BANDS	1, 2, 3, 4, 5, 6, 7, 8, 9, 10, 12, 13, 14, 17, 18, 19, 20, 23, 25, 26, 27, 28, 29, 30, 33, 34, 35, 36, 37, 38, 39, 40, 41, 44, 53, 59, 62, 65, 66, 67, 68, 69, 85, n80, n81, n82, n83, n84, n86, n89, n90, n95
GAIN	0.694 - 0.96 GHz : 4 dBi 1.7 - 2.2 GHz : 5 dBi 2.2 - 2.7 GHz : 6 dBi
VSWR	<1.30, max <1.80
BEAMWIDTH	90°/90° +/- 30°
POLARIZATION	Vertical
IMPEDANCE	50 Ω

WI-FI SPECIFICATION

FREQUENCY	2.40-2.50 GHz 4.70 - 6.00 GHz
GAIN	2.40 - 2.50 GHz : 6 dBi 4.70 - 6.00 GHz : 7 dBi
VSWR	<1.70, max <2.00
BEAMWIDTH	360°/25° +/- 5°
POLARIZATION	Vertical
IMPEDANCE	50 Ω

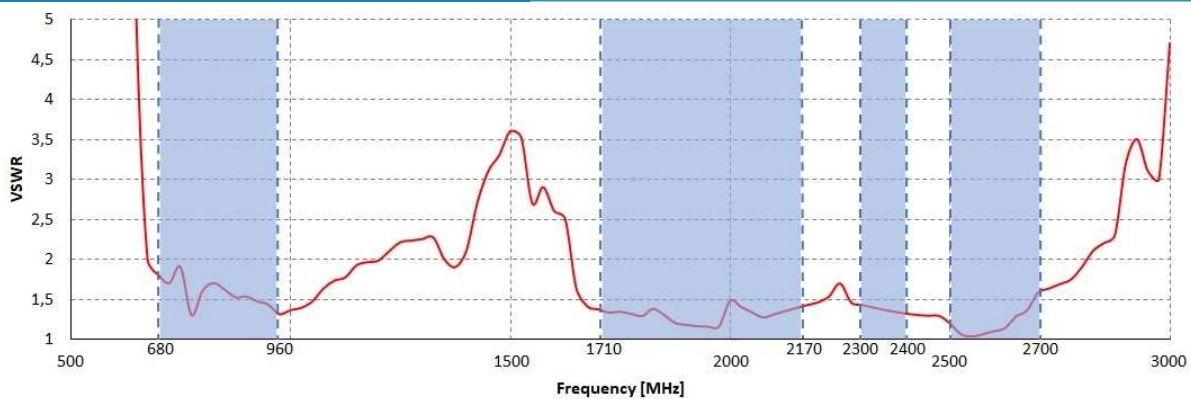
BLUETOOTH SPECIFICATION

FREQUENCY	2.40-2.50 GHz
GAIN	3 dBi
VSWR	<1.70, max <2.00
BEAMWIDTH	360°/25° +/- 5°
POLARIZATION	Vertical
IMPEDANCE	50 Ω

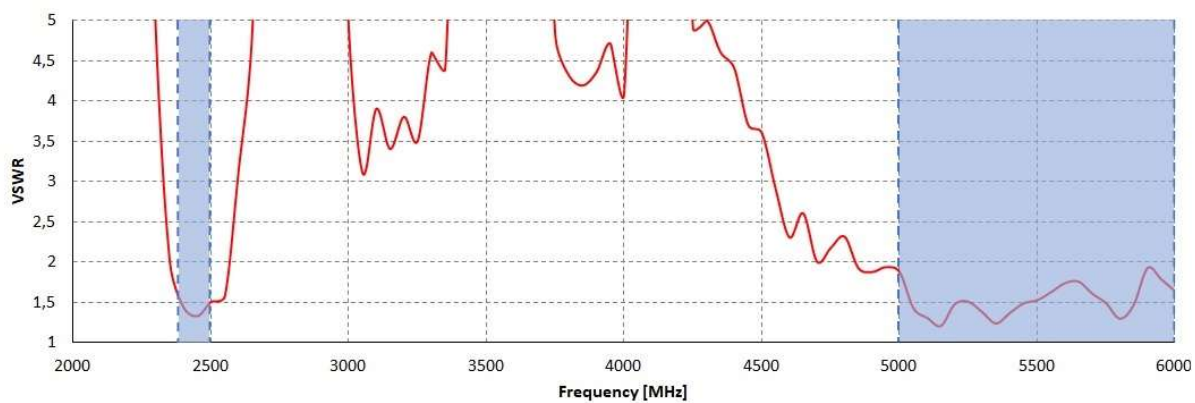
MECHANICAL SPECIFICATION

MATERIALS	ABS, aluminum, PTFE, FR4, Fiberglass, Polycarbonite
INGRESS PROTECTION	IP67
CONNECTOR TYPE	RJ45
DIMENSIONS	272 x 276 x 96 mm 10.71 x 10.87 x 3.78 inch
WEIGHT	1.8 kg 3.97 lbs
OPERATING TEMPERATURE	From -40°C to 75°C From -40°F to 167°F

VSWR for LTE antenna



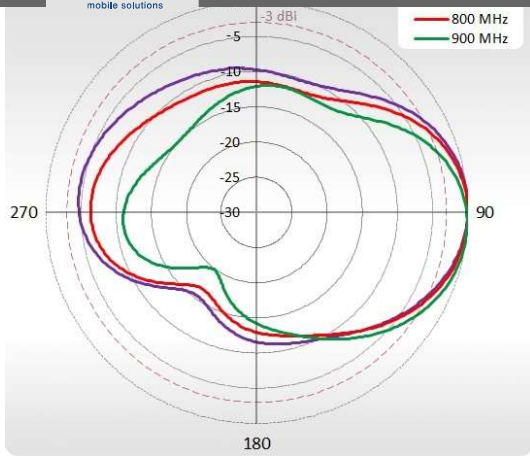
VSWR for Wi-Fi antenna



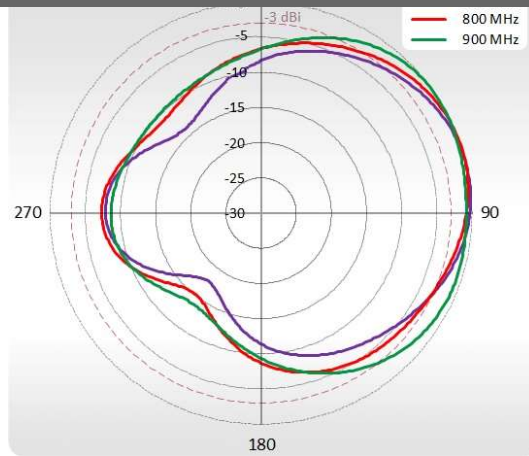
PLOTS

700-900 MHz Azimuth

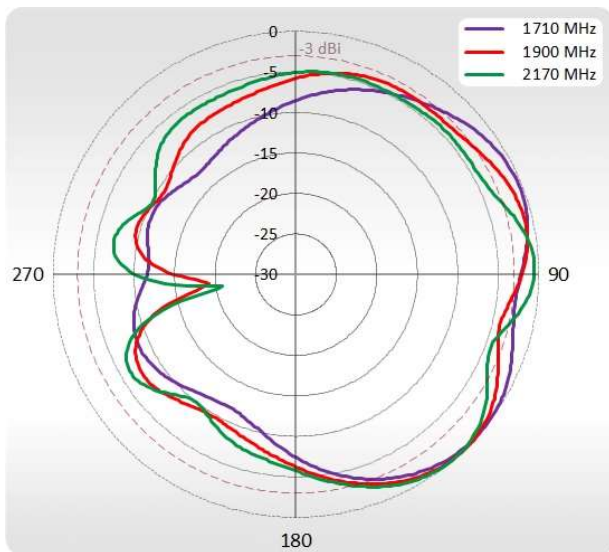
700-900 MHz Elevation



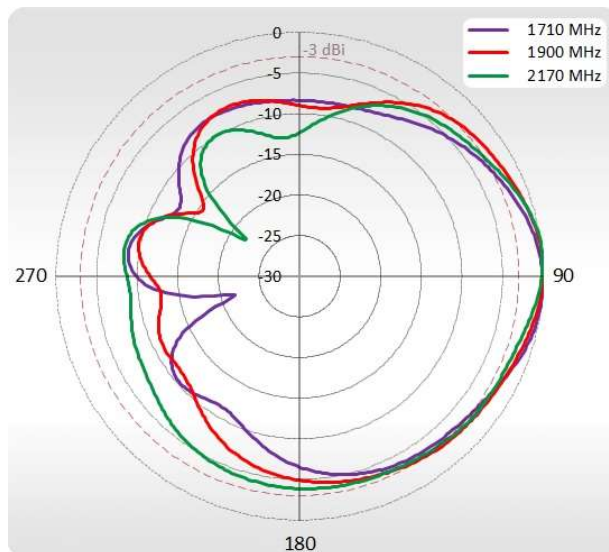
1710-2170 MHz Azimuth



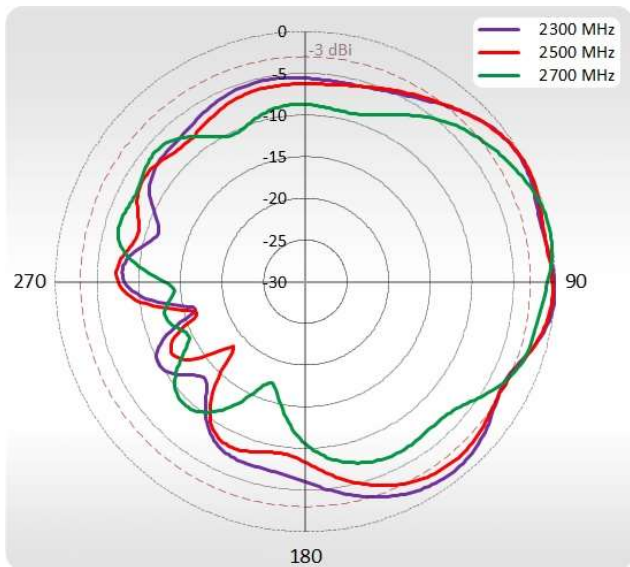
1710-2170 MHz Elevation



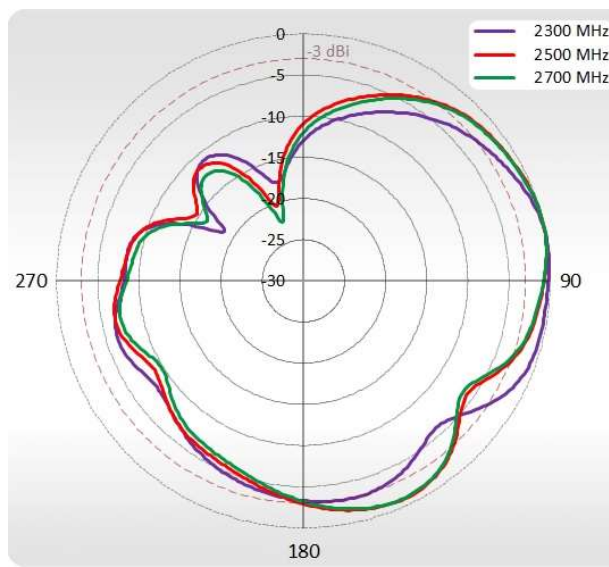
2300-2700 MHz Azimuth



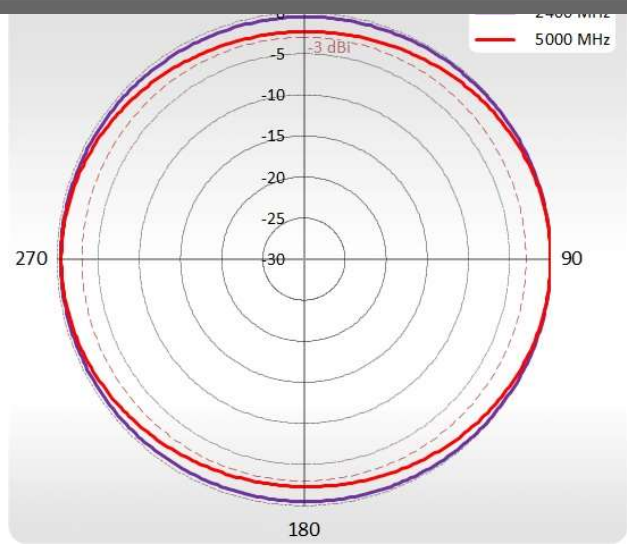
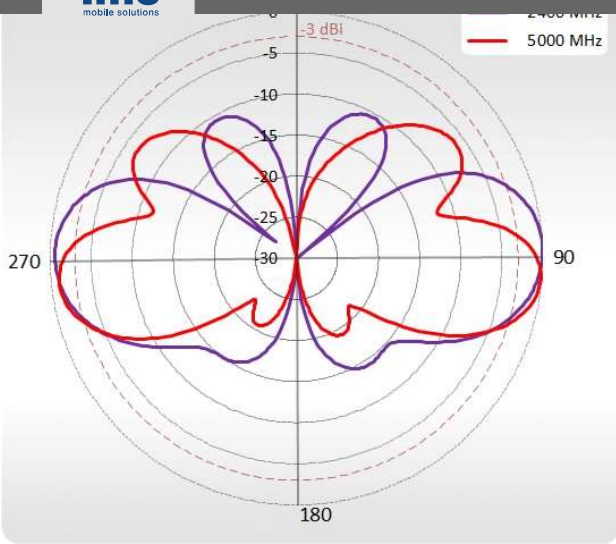
2300-2700 MHz Elevation



Wi-Fi Azimuth



Wi-Fi Elevation





// RUTX12 is the most powerful Dual LTE Cat 6 router in Teltonika's portfolio.

// Two simultaneously operational LTE Cat 6 modems provide speeds up to 600 Mbps with load balancing feature.

// The bonding functionality effectively combines multiple internet sources into one for a seamless data transfer.

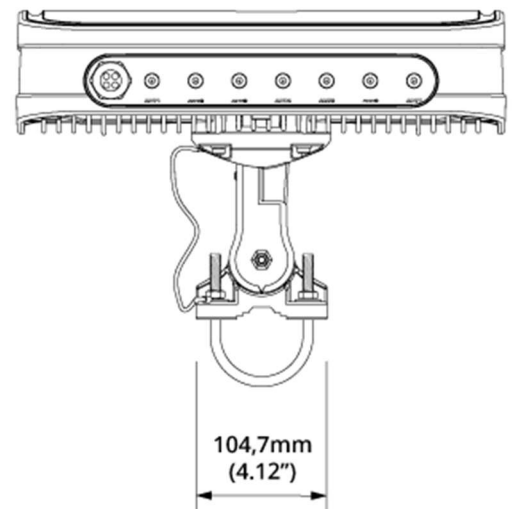
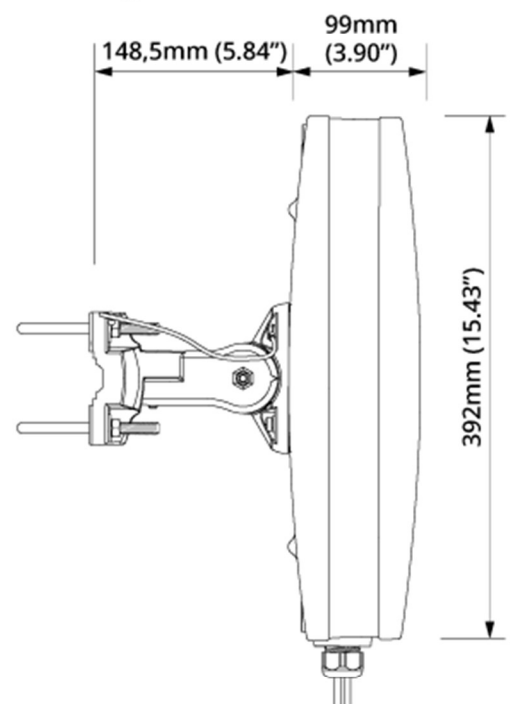
// 5 x Gigabit Ethernet ports, Wave-2 802.11ac Dual-Band Wi-Fi, Bluetooth LE, and USB interfaces and dual SIM make this device irreplaceable in applications where losing connection is not an option.

// Packed with advanced security features like VPN, IPsec, PPTP, L2TP Tunnel and GNSS tracking.

[RUTX12 Datasheet](#)

[RUTX12 User Manual](#)

[RUTX12 Quick Start Guide](#)



HEADQUARTER:

Wireless Instruments sp. z o.o.

ul. Kościuszki 27

52-116 Iwiny

POLAND

sales@quwireless.com

tel. 1 +48 601 266 260