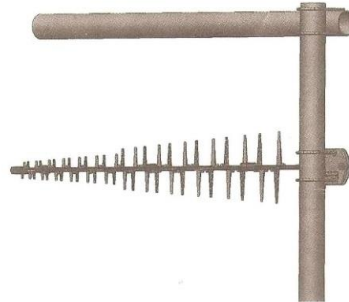


## Lightning Protection

4

- To ensure proper protection from lightning it is important that the mounting mast is properly grounded using earth strapping and spikes into moist soil.
- Please note that this antenna has an integrated DC short at the bracket end, this ensures no static buildup in the antenna and also provides additional lightning protection.
- To further reduce the risk of direct lightning strikes to the antenna, a horizontal pole can be mounted approximately 500mm above the antenna as shown in the figure.
- Further lightning protection can be installed in line between the antenna and the radio equipment.



### LPDA-0092-04

#### Packing Check List

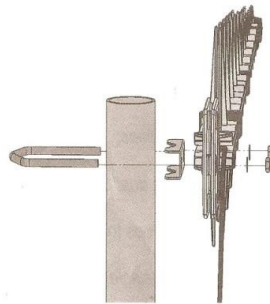
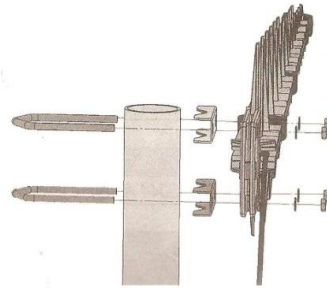
Item	Description	Quantity
	LPDA-0092-04	
1	698 - 3000 MHz High Gain Directional LTE Antenna with 0.3m HDF195 N(f) cable	1
	Bracket Kit	
3	Econo-bracket	2
4	U-Bolt (SS) M6x65x112mm	2
5	M6 Washers (SS)	4
6	M6 Nuts (SS)	4

#### Packing Check List

- The LPDA-0092-04 antenna is supplied with all fasteners and bracket to allow for mast mounting on up to 65mm diameter poles. The antenna has two mounting options:
  - a. The dual U Bolt mounting option fixes the antenna's boom 90 degrees to the mounting mast.
  - b. The single U Bolt mounting option allows for vertical tilting of the antenna.

### Two U Bolt Mounting method:

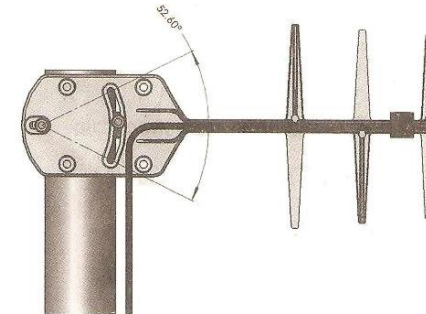
- Assemble the bracketry on the mast as shown in the exploded diagram and tighten nuts finger tight.
- Align the antenna in the direction of the base station, please bear in mind the antenna has a beamwidth of approximately 55 degrees.
- Fasten nuts on U bolts with 10mm wrench/spanner, but do not overtighten.
- Be sure to provide strain release for the cable by securing it the mounting structure near the antenna using a cable-tie (not provided).



### Single U Bolt Mounting method:

- Assemble the bracketry on the mast as shown in the exploded diagram and tighten nuts finger tight.
- Align the antenna in the direction of the base station in both vertical and horizontal position. Please bear in mind that the antenna has a beamwidth of approximately 55 degrees in the horizontal plane and 50 degrees in the vertical plane.
- Fasten nuts on U bolts with 10mm wrench/spanner, but do not over tighten.
- Be sure to provide strain release for the cable by securing it the mounting structure near the antenna using a cable-tie (not provided).

- The single U bolt mounting allows the antenna to be adjusted in the vertical plane by approximately 26 degrees up and down from the horizontal position.



### Operational Instructions

- Connect an appropriate device or suitable cable extension to the antenna via the SMA-connector on the end of the cable attached to the antenna. Seal the connection with Self Amalgamating or Butal Tape to ensure no water ingress.
- Final antenna alignment can be achieved by monitoring the signal strength indicator of the communication device to which the antenna is connected for maximum signal strength.
- The antenna is now ready for use.